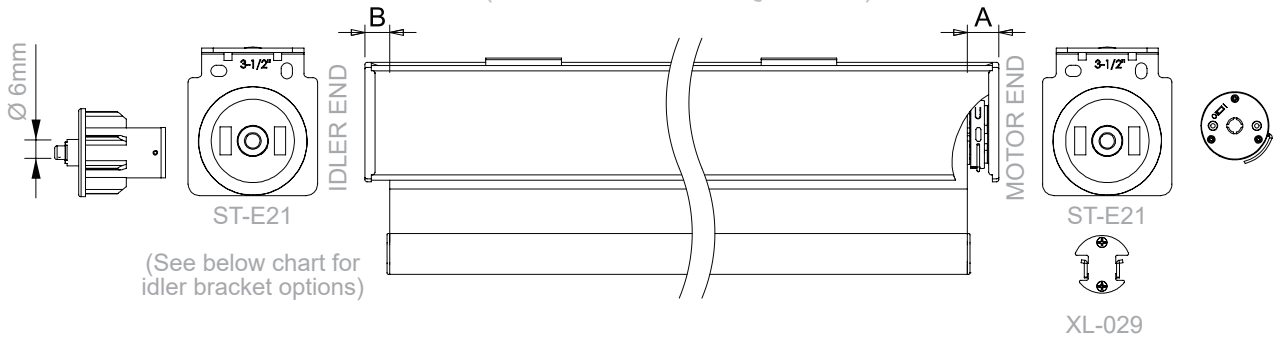


# 3 1/4" Smart Cassette with Bi-Directional Motor Tube & Fabric Deduction

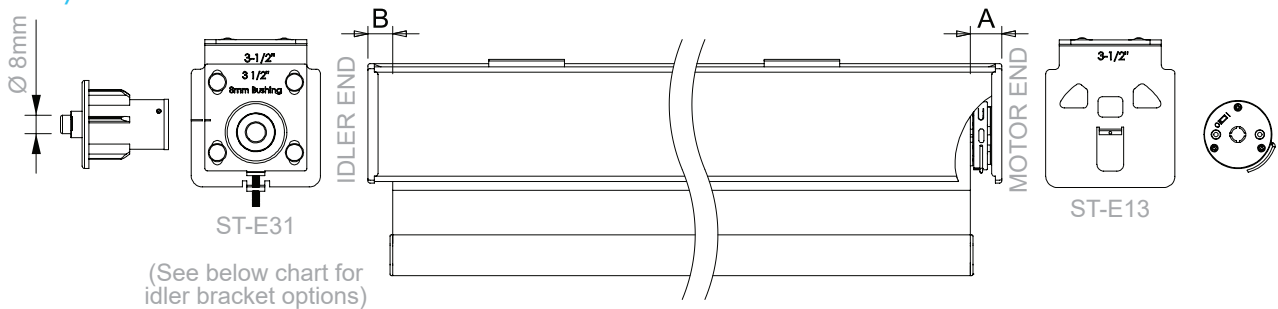


**DEDUCTIONS**

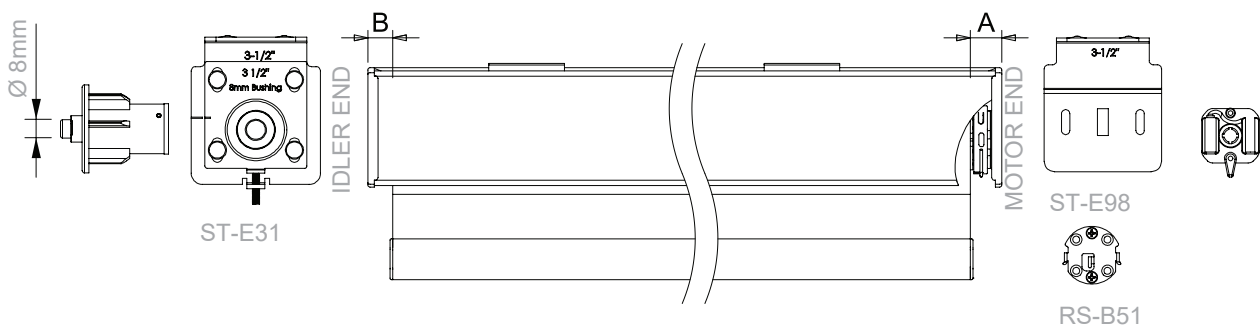
## 3 1/4" SMART CASSETTE SYSTEM USING XL BRACKET (XL ADAPTOR REQUIRED)



## 3 1/4" SMART CASSETTE SYSTEM USING SP BRACKET



## 3 1/4" Smart Cassette using RS Bracket



## ZM001 & ZM002 Li-ion Bi Directional Motor

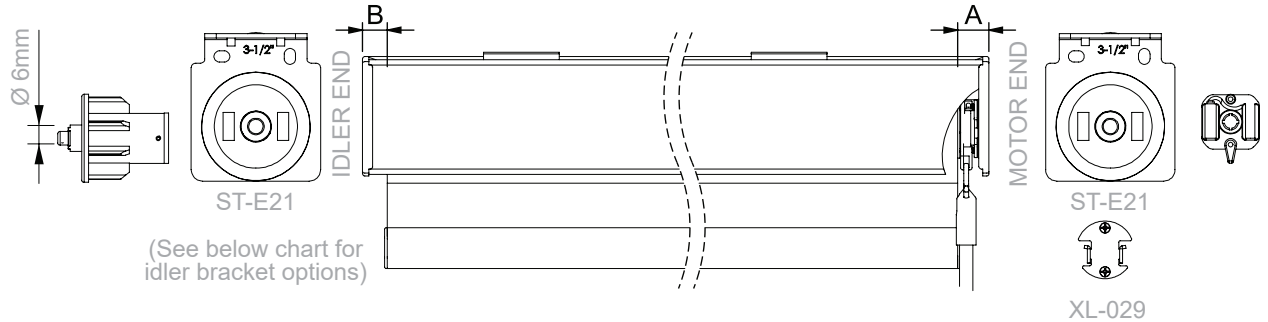
Bracket & Idler	Item #	A	B	d	End Cap
3 1/4" Smart Cassette XL	ST-E21+ST-E21 XL-A0*/B0*/C0*	inches 0.82 mm 20.8	0.65 16.4	1.46 37.2	0.17 4.2
3 1/4" Smart Casse. SP	ST-E31+ST-E13 XL-A0*/B0*/C0*	inches 0.61 mm 15.4	0.65 16.4	1.25 31.8	0.17 4.2
	ST-E14/ST-E15+ST-E13 Z-10A/10B/10C	inches 0.61 mm 15.4	0.70 17.8	1.31 33.2	0.17 4.2
	ST-E18+ST-E13 Z-20A/20B/20C	inches 0.61 mm 15.4	0.48 12.2	1.09 27.6	0.17 4.2
3 1/4" Smart Casse. RS	ST-E98+ST-E31	inches 0.82 mm 20.6	0.65 16.4	1.46 37	0.17 4.2

NOTE: The above chart is to be used for guideline purposes only

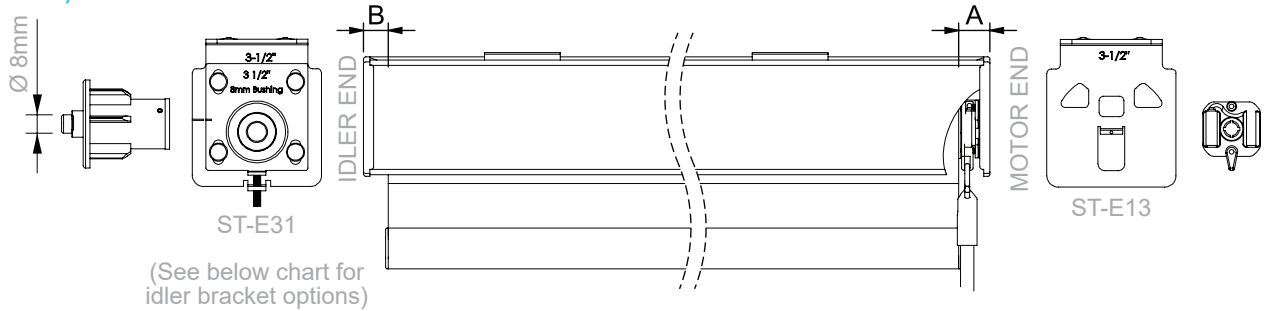


# 3 1/4" Smart Cassette with Switch Wand Motor Tube & Fabric Deduction

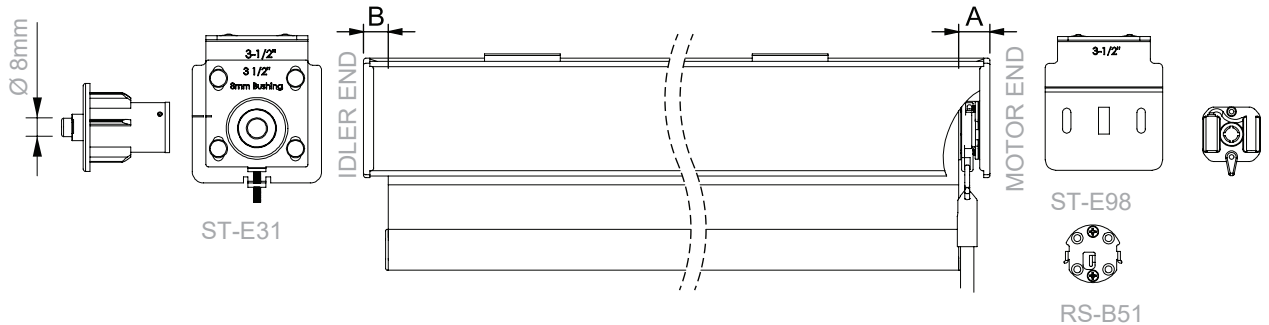
## 3 1/4" SMART CASSETTE SYSTEM USING XL BRACKET (XL ADAPTOR REQUIRED)



## 3 1/4" SMART CASSETTE SYSTEM USING SP BRACKET



## 3 1/4" Smart Cassette using RS Bracket



## ZM001 & ZM002 Li-ion Bi Directonal Motor

Bracket & Idler	Item #	A	B	d	End Cap
3 1/4" Smart Cassette XL	ST-E21+ST-E21 XL-A0*/B0*/C0*	inches 0.82 mm 20.8	0.65 16.4	1.46 37.2	0.17 4.2
3 1/4" Smart Casse. SP	ST-E31+ST-E13 XL-A0*/B0*/C0*	inches 0.61 mm 15.4	0.65 16.4	1.25 31.8	0.17 4.2
	ST-E14/ST-E15+ST-E13 Z-10A/10B/10C	inches 0.61 mm 15.4	0.70 17.8	1.31 33.2	0.17 4.2
	ST-E18+ST-E13 Z-20A/20B/20C	inches 0.61 mm 15.4	0.48 12.2	1.09 27.6	0.17 4.2
3 1/4" Smart Casse. RS	ST-E98+ST-E31	inches 0.82 mm 20.6	0.65 16.4	1.46 37	0.17 4.2

NOTE: The above chart is to be used for guideline purposes only