

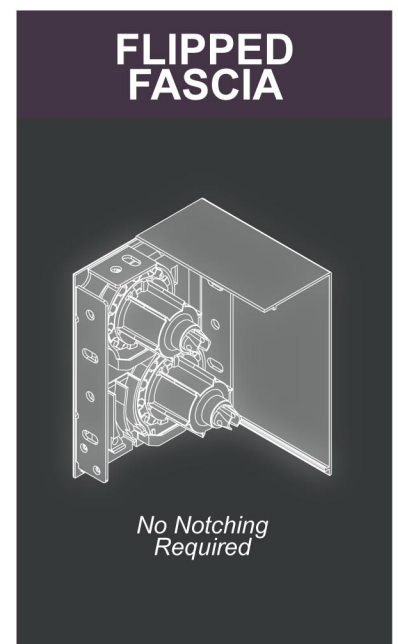
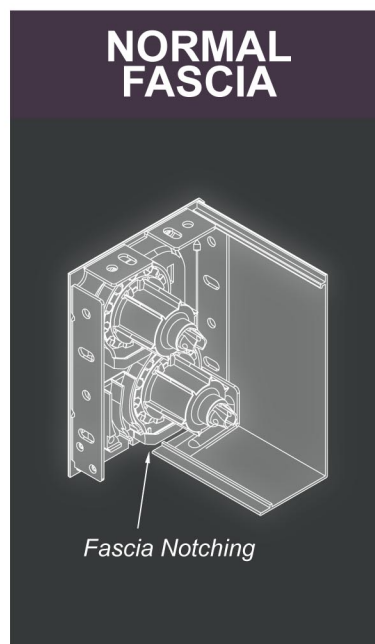
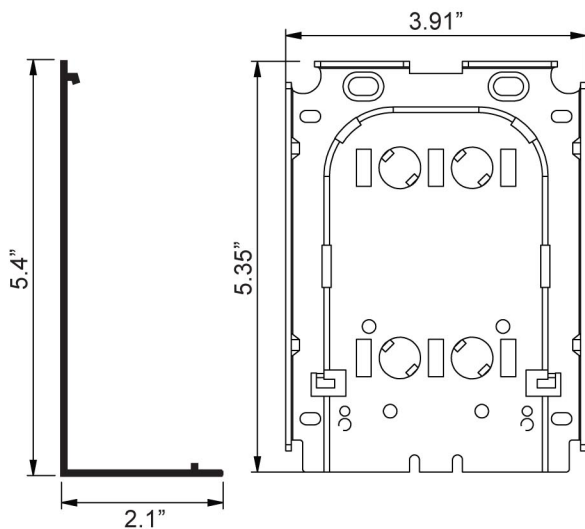


FEATURES & BENEFITS

- ✓ Slender profile is exquisitely tailored for XL, RS, & SP systems
- ✓ Seamlessly adaptable to both Manual and Motorized controls
- ✓ L Shape Fascia is simple to install and ensures a refined, elegant touch
- ✓ Reverse Roll installations made effortless by simply flipping the Fascia
- ✓ Convertible to 10mm & 16mm XR Brackets using our Metal Adaptor
- ✓ Exclusively available for Duo Shades

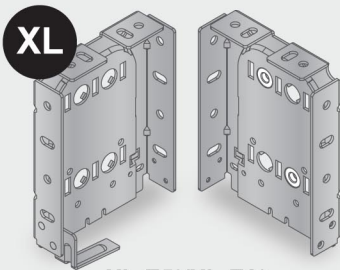


PRODUCT DIMENSIONS

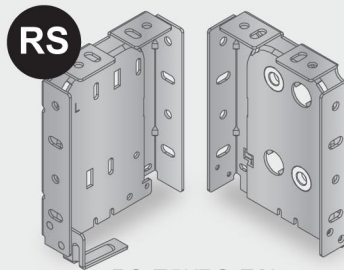
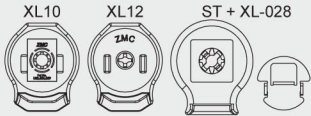




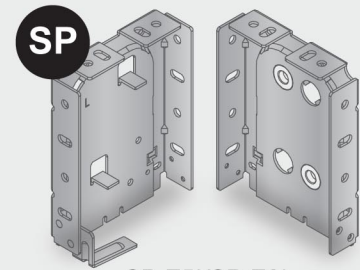
5.5" L FASCIA SLIM BRACKETS



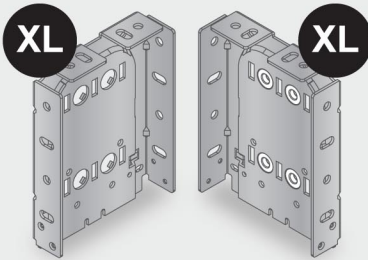
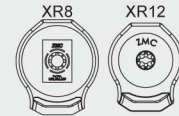
XL-E5*/XL-E6*
Left/Right Control



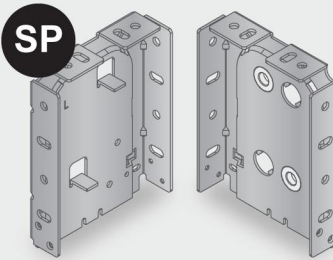
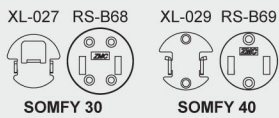
RS-E5*/RS-E6*
Left/Right Control



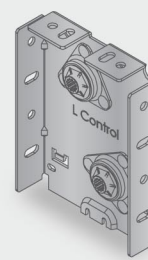
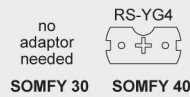
SP-E5*/SP-E6*
Left/Right Control



XL-E3* **XL-E4***



SP-E3*/SP-E4*
Left/Right Control

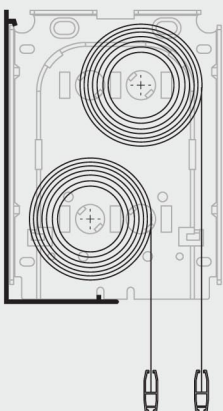


RS-E3*/RS-E4*
5.5" L Fascia
Slim Intermediate
Bracket Left/Right



RS-YN*
5.5" L Fascia
Slim Universal
End Cap

MAXIMUM ROLL DIAMETER & FABRIC DROP



Tube	Fabric Roll Max Diameter	(0.55mm/0.022" thickness)		(0.91mm/0.036" thickness)	
		Upper Roller Blackout	Lower Roller Sunscreen 3%	Upper Roller Blackout	Lower Roller Sunscreen 3%
1 1/8" Tube	Upper Roller Max Diameter: 66mm / 2.60"	3.3m / 11ft	3.3m / 11ft	3.3m / 11ft	3.3m / 11ft
1 1/4" Tube	Lower Roller Max Diameter: 71mm / 2.80"	3m / 10ft	3m / 10ft	3m / 10ft	3m / 10ft
1 1/2" Tube	Two Roller Center Distance: 67mm / 2.64"	2.4m / 8ft	2.4m / 8ft	2.4m / 8ft	2.4m / 8ft

