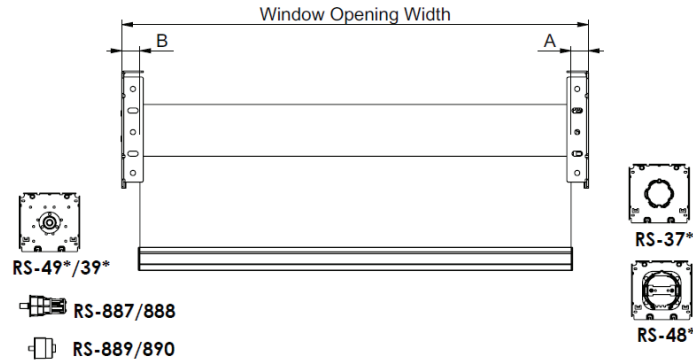


5.5" L FASCIA SYSTEM

Tube and Fabric Deductions

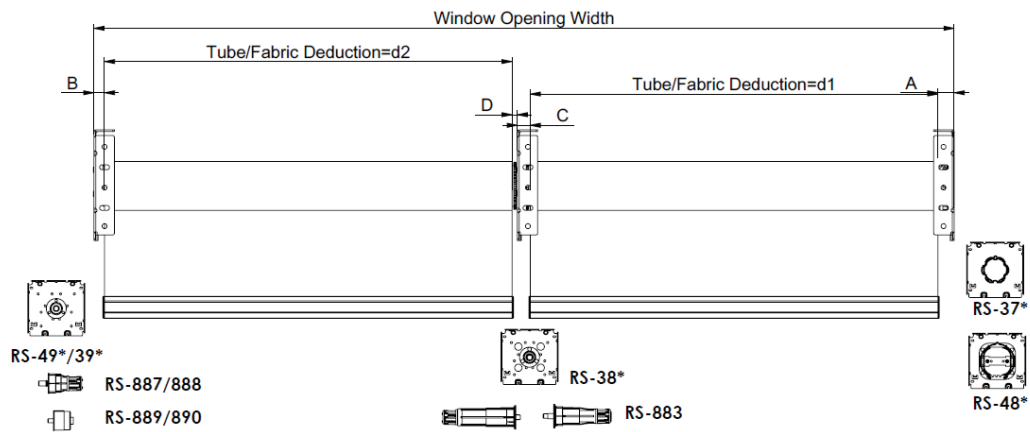
For 5.5" L Fascia Bracket with Somy 50 AC/DC motor and Swivel Ball Bracket (W/o end Cap)

Single Band



Tube	50 AC			50 DC		
	A	B	d	A	B	d
2" Groove (RS-013) 	20mm (0.79")	24.2mm (0.95")	44.2mm (1.74 ")	20mm (0.79")	27.2mm (1.07")	47.2mm (1.86 ")
2 3/8 " Tube (RS-033) 	21.5mm (0.85")	25.7mm (1.01 ")	47.2mm (1.86")	21.5mm (0.85")	28.7 mm (1.13 ")	50.2mm (1.98")
2 1/2 " Tube (RS-T66) 	22.4 mm (0.88")	26.6mm (1.05")	49 mm (1.93 ")	22.4 mm (0.88")	29.6mm (1.17")	52mm (2.05 ")

Multi Band



Tube	A	B	C	D	d1=A+C	d2=B+D
2" Groove (RS-013) 	20mm (0.79")	20mm (0.79")	15.8mm (0.62")	6.5mm (0.26")	35.8mm (1.41 ")	26.5mm (1.05 ")
2 3/8 " Tube (RS-033) 	21.5mm (0.85")	21.5mm (0.85")	17.3mm (0.68")	8mm (0.31 ")	38.8mm (1.53")	29.5mm (1.16")
2 1/2 " Tube (RS-T66) 	22.4 mm (0.88")	22.4 mm (0.88")	18.2mm (0.72")	8.9mm (0.35")	40.6mm (1.60 ")	31.3mm (1.23 ")

1. Use this table as a guideline only
2. Deduction with 1-2mm tolerance
3. End cap thickness is 1/8"