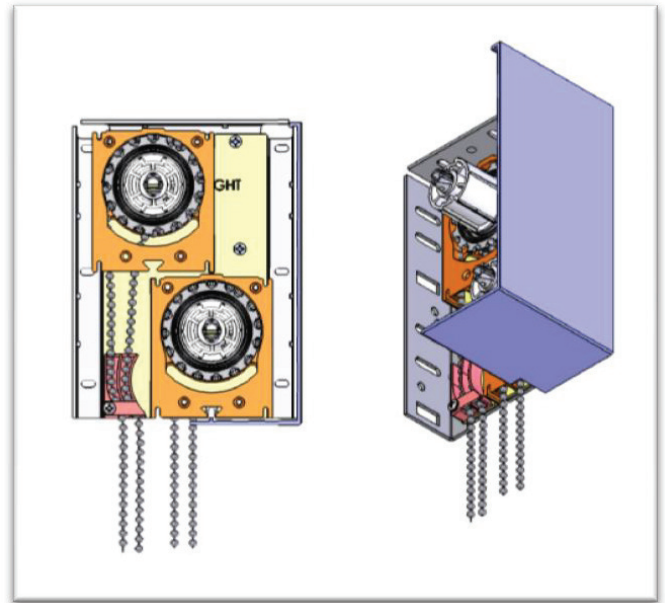


7" Duo Fascia Bracket

For CM Clutch

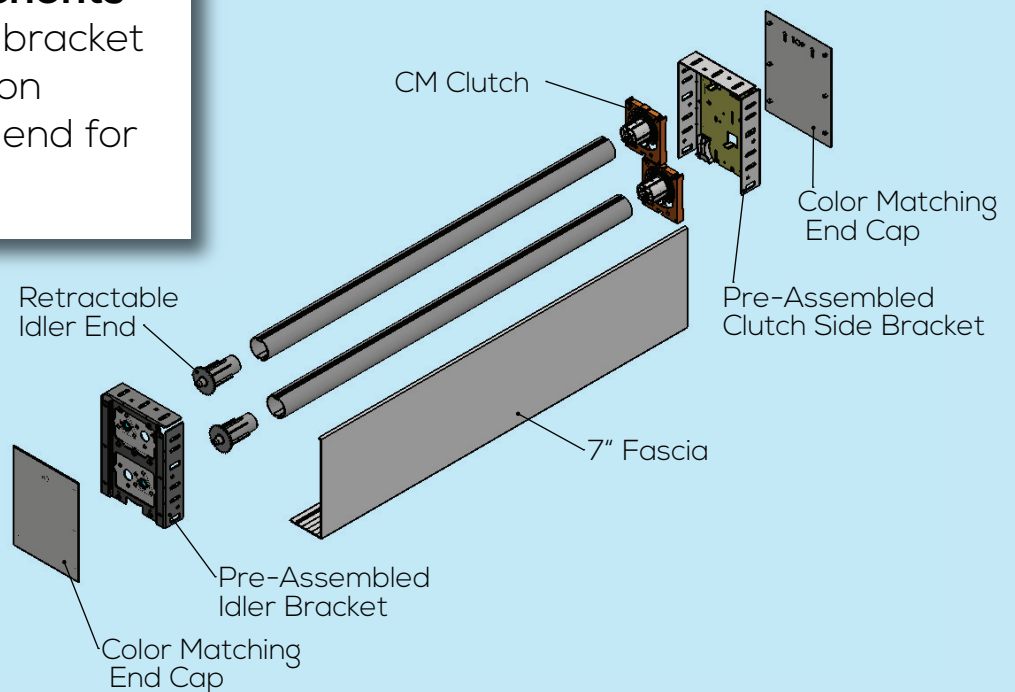
NEW

Heavy Duty Fascia System for Large Duo Shade



Features and Benefits

- Pre-assembled bracket for easy installation
- Adjustable idler end for easy leveling



Website: www.zmc.ca
 E-mail: contact@zmc.ca



For more information please contact us at:
 Tel: 1.905.856.3838 or 1.800.541.2557

7" Duo Fascia Bracket

For CM Clutch



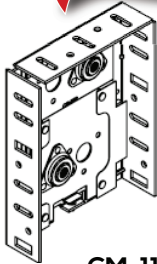
CM-12*
7" Duo Adj. Bracket for CM Right

COMING SOON






CM-13*
7" Duo Adj. Bracket for CM Left

COMING SOON



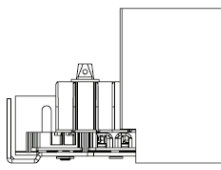
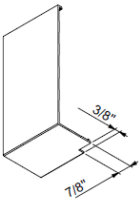
CM-11*
7" Duo Adj. Bracket for CM Inter.

7" CM Duo Shade Maximum Drop

Fabric Roll Max. Diameter	Tube		Upper roller Blackout, (0.55mm Thick)	Lower roller Sun-Screen 3%, (0.91mm Thick)
Upper Roller: 70mm (2.75")	1 ½" Tube		4.6m/15 ft	4.6m/15 ft
Lower Roller: 96mm (3.75")				
	1 ¾" Tube		4.1m/13.5 ft	4.1m/13.5 ft

* Distance of two roller centre is 98 mm (3.87").

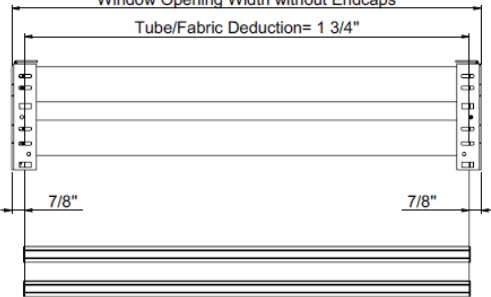
Notch and Opening at the Clutch End of the Fascia

7" CM Duo Tube and Fabric Deductions

7" CM Duo Single Band

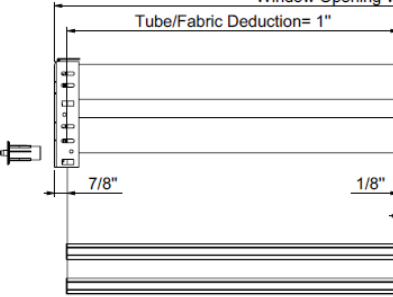
Window Opening Width without Endcaps
Tube/Fabric Deduction= 1 3/4"



7" CM Duo Multi Band Right Control

Window Opening Width without Endcaps

Tube/Fabric Deduction= 1"



Tube/Fabric Deduction= 1 3/4"

