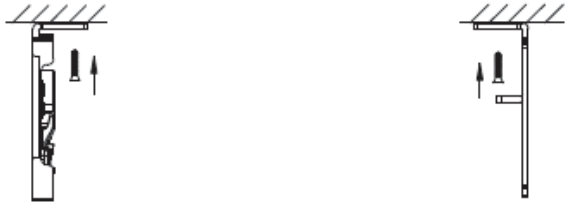
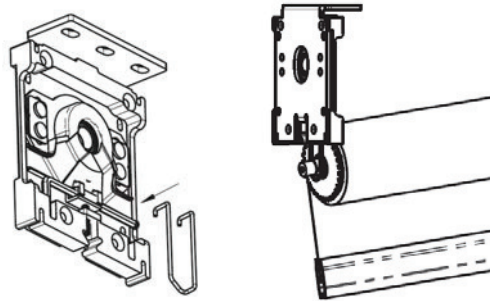


Installation Instruction of CM System

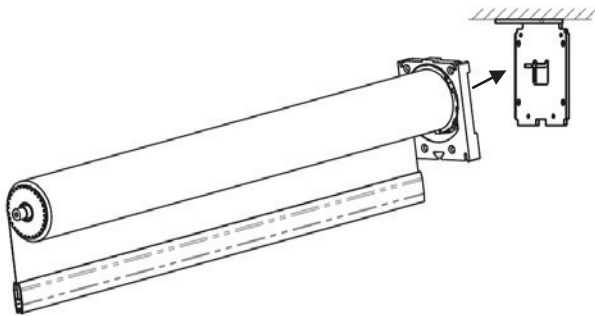
1. Mount installation brackets.



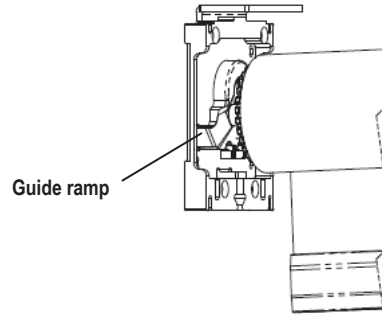
2. For wider shade, please use Installer Buddy if necessary.



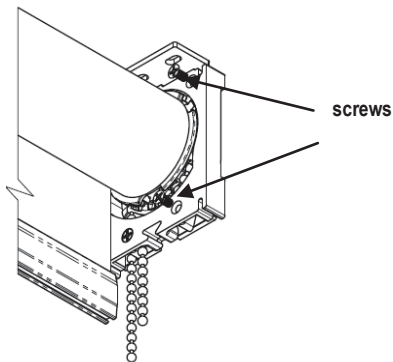
3. Insert clutch end into clutch bracket.



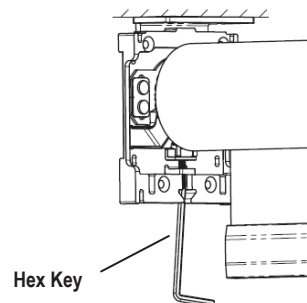
4. Position spring loaded idler end spindle on the ramp to guide the idler end into bearing.



5. Fasten screws to secure clutch.

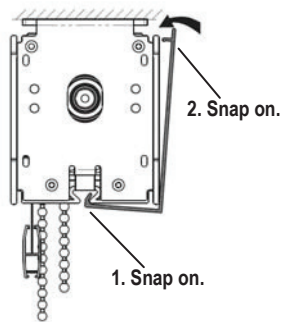


6. Use Hex key to adjust the shade to avoid telescoping.

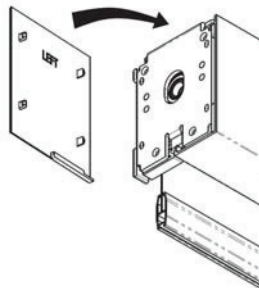


7. Install Fascia and End Caps.

1) To install fascia:

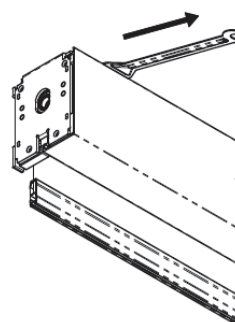


2) To install end caps:
Place end cap pins in the bracket holes and clip them in.

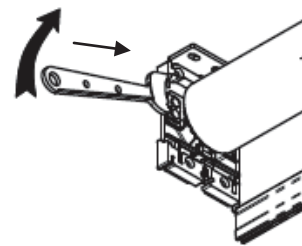


8. To uninstall:

1) To remove fascia:
Insert hand tool and pull fascia off the brackets.



2) Insert and turn the wrench in direction as shown to fully retract the idler end spindle. Then remove shade.



CM Fascia System with Side Channel

Notch the CM Fascia for Side Channel Option

