



CM FASCIA SYSTEM



For Somfy ST30 Motor

COMMERCIAL GRADE HEAVY DUTY FASCIA SYSTEM

FOR COMMERCIAL APPLICATIONS



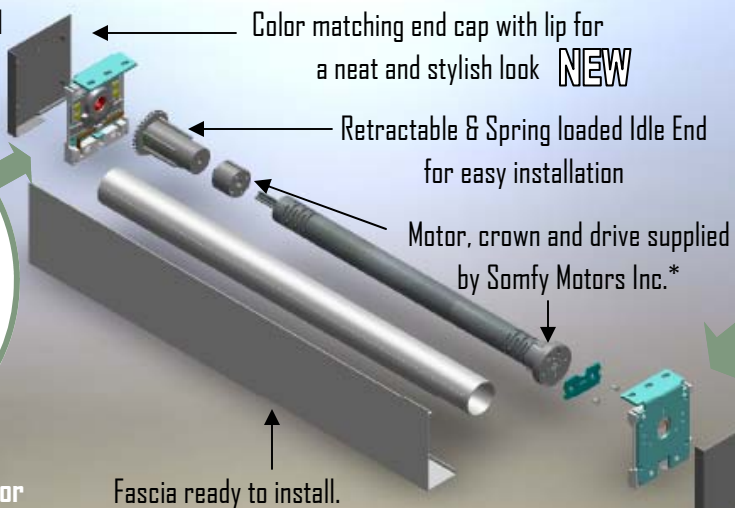
FOR RESIDENTIAL APPLICATIONS



Roller Bearing for smooth and quiet operation



Adjustable Idler End Bracket for easy leveling of the shades



Fascia ready to install. It can be easily snap on and off.

Color matching end cap with lip for a neat and stylish look **NEW**

Retractable & Spring loaded Idle End for easy installation

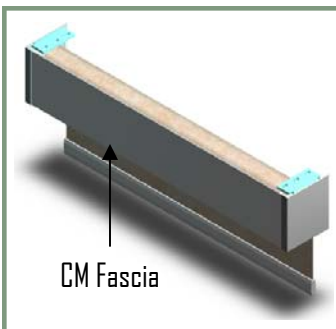
Motor, crown and drive supplied by Somfy Motors Inc.*



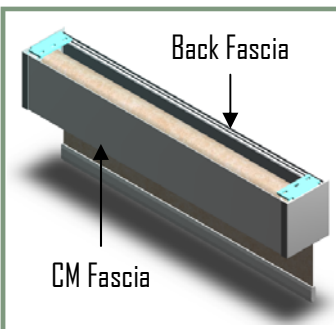
Motor Bracket specially designed to fit ST30 Motor from Somfy

*For motors, crowns and drives please contact Somfy at www.somfy.com

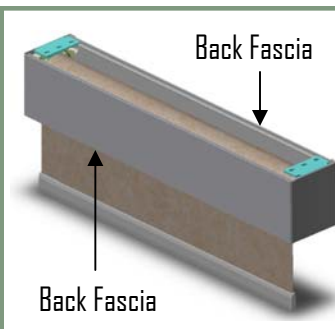
OPTIONS AVAILABLE



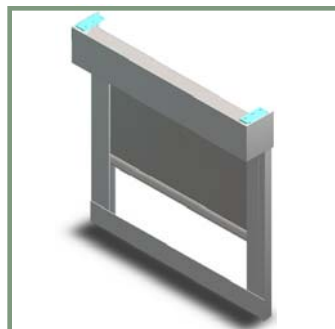
For Single-Band Shade Applications



Can be used with Back Fascia



Reverse Roll with Back Fascia on the front



Compatible with Side Channel System

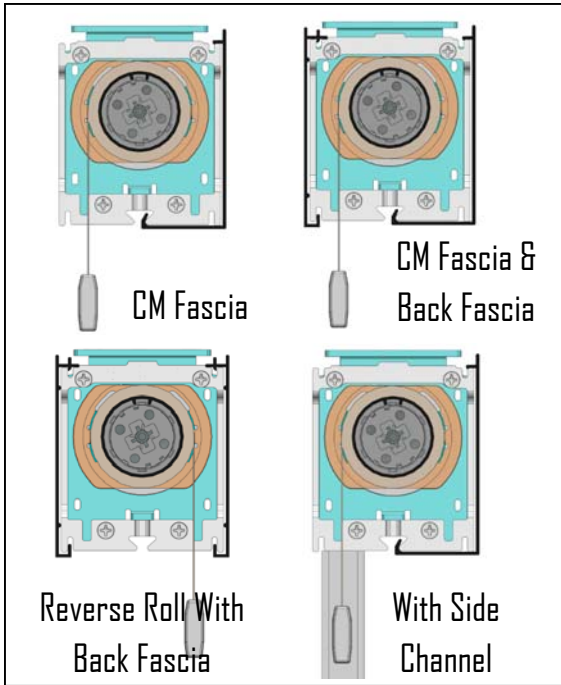
For more information please contact us at:
Tel: 1.905.856.3838 or 1.800.541.2557
1.770.682.4548 (U.S. office)

Website: www.zmc.ca
E-mail: contact@zmc.ca

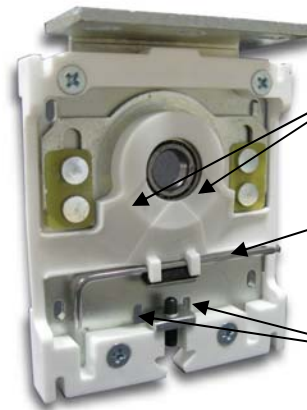


CM FASCIA SYSTEM

For Somfy ST30 Motor



Idler End Bracket (more features)



Guide ramp allows Idle End to easily "slide" for a smooth installation

Allen key is provided for adjustment (3±mm height) after assembly.

Can be used with installer buddy (CM-005) for easy installation

For details on these and other CM Fascia components please refer to our catalog

OPTIONS AVAILABLE

<p>RS-TXX 1-1/2 Z-Tube</p>	<p>CM-003 CM Idle End for 1-1/2 Z-Tube</p>	<p>CM-B07 CM Motor Bracket for ceiling mount</p>
<p>RS-2TU 1-1/2 RS Tube</p>	<p>CM-002 CM Idle End for 1-1/2 RS Tube</p>	<p>CM-B08 CM Motor Bracket for wall mount RIGHT CONTROL</p>
<p>RS-3TU 1-3/4 RS Tube</p>	<p>CM-004 CM Idle End for 1-3/4 RS Tube</p>	<p>CM-B09 CM Motor Bracket for wall mount LEFT CONTROL</p>

COLORS AVAILABLE

- White
- Alabaster
- Anodized
- Bronze
- Black