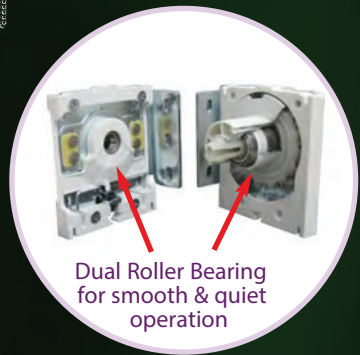
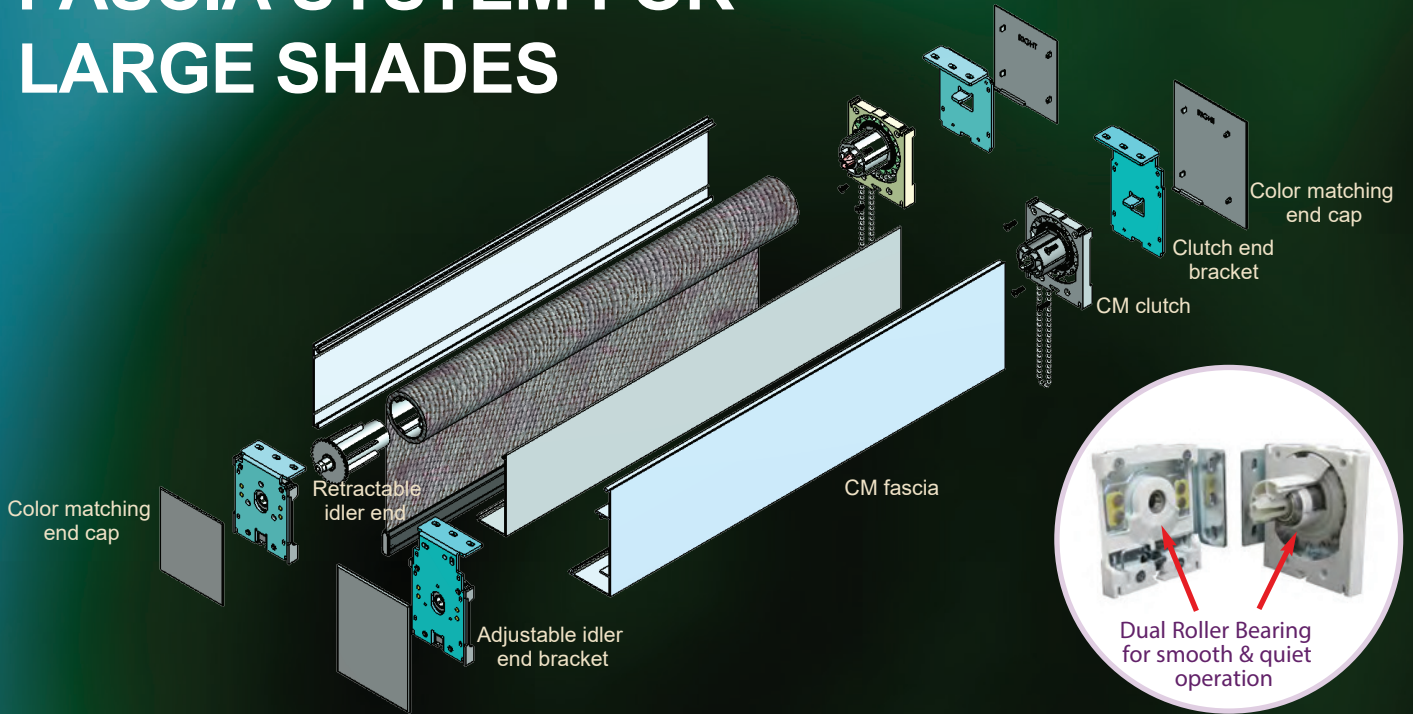


## HEAVY DUTY FASCIA SYSTEM FOR LARGE SHADES



### FEATURES & BENEFITS

- 1 Fascia ready to install, not need to be notched.
- 2 Ceiling and Wall mounting options.
- 3 Retractable & Spring loaded Idler End for easy installation.
- 4 Adjustable Idler End bkt for easy leveling of the shades.
- 5 Adjustable intermediate bracket for multi-band shade application.
- 6 Fascia can easily snap on and off.
- 7 Easy to install. Slide tube into CM clutch and clutch into the bkt.
- 8 Compatible with 1-1/2" and 1-3/4" aluminum tubes, and Spring Assist system.

See reverse side for details



Website: [www.zmc.ca](http://www.zmc.ca)  
E-mail: [contact@zmc.ca](mailto:contact@zmc.ca)



For more information please contact us at:  
Tel: 1.905.856.3838 or 1.800.541.2557

# CM FASCIA SYSTEM

## FOR MULTI-BAND SHADES APPLICATION

CM Intermediate Bracket

Spring Assist

Extended CM Bracket

Normal CM Bracket

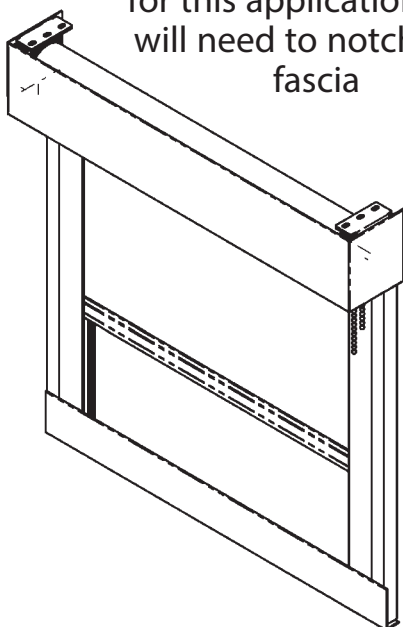
Recommended Max. Drop of Fabric\*

		Normal CM BKT	EXTENDED CM BKT
Max. Roll Dia.		3" [76.2]	3.6" [91.5] (w/Fascia) 5.28" [134] (w/o Fascia)
Max. Drop	1.5" tube	14ft [4.2m]	21ft [6.4m] w/Fascia 52ft [15.6m] w/o Fascia
	1.75" tube	12.5ft [3.8m]	20ft [6.0m] w/Fascia 50ft [15m] w/o Fascia

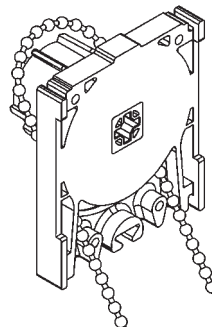
\*Fabric thickness: 0.81mm(0.032")

## COMPATIBLE WITH OUR SIDE CHANNEL SYSTEM

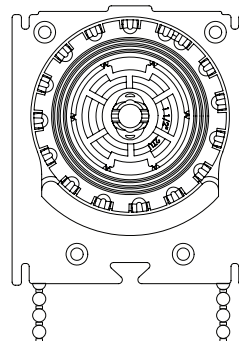
for this application you will need to notch the fascia



## EASY BALL CHAIN INSTALLATION



Place the chain through the slots



and pull the chain to rotate the sprocket. The chain will slide in the right position.