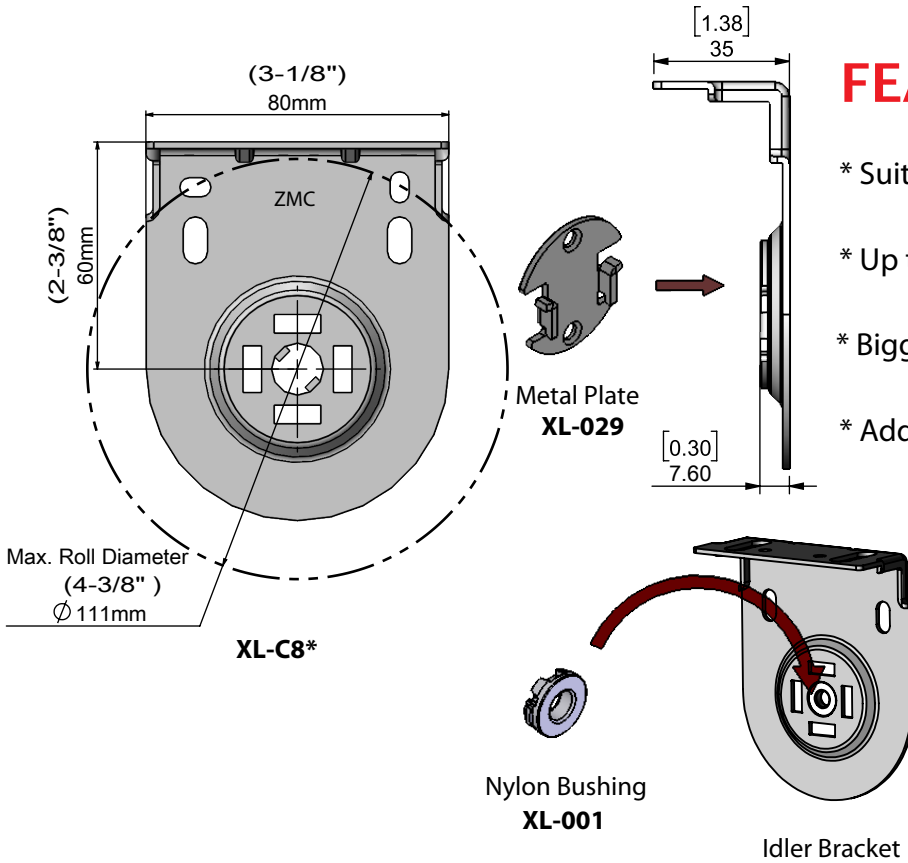


# 2-3/8" Projection Open Roll XL Bracket

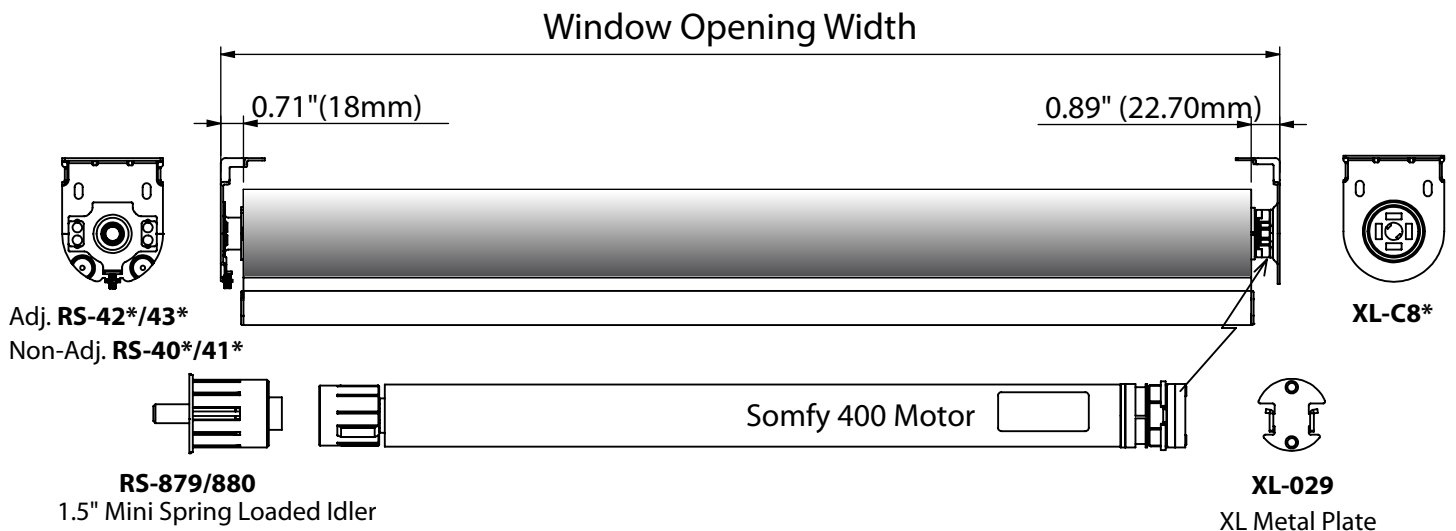


## FEATURES & BENEFITS

- \* Suitable for both Motorized & Manual applications
- \* Up to 18 Nm maximum torque with Metal Plate
- \* Bigger projection option for manual shade
- \* Add a Nylon Bushing to make an Idler Bracket

## Motor Application

with Somfy 400 Motor, 1.5" Mini Spring Loaded Idler and 1.5" Groove Motor Tube



For more information please contact us at:  
 Tel: 1.905.856.3838 or 1.800.541.2557

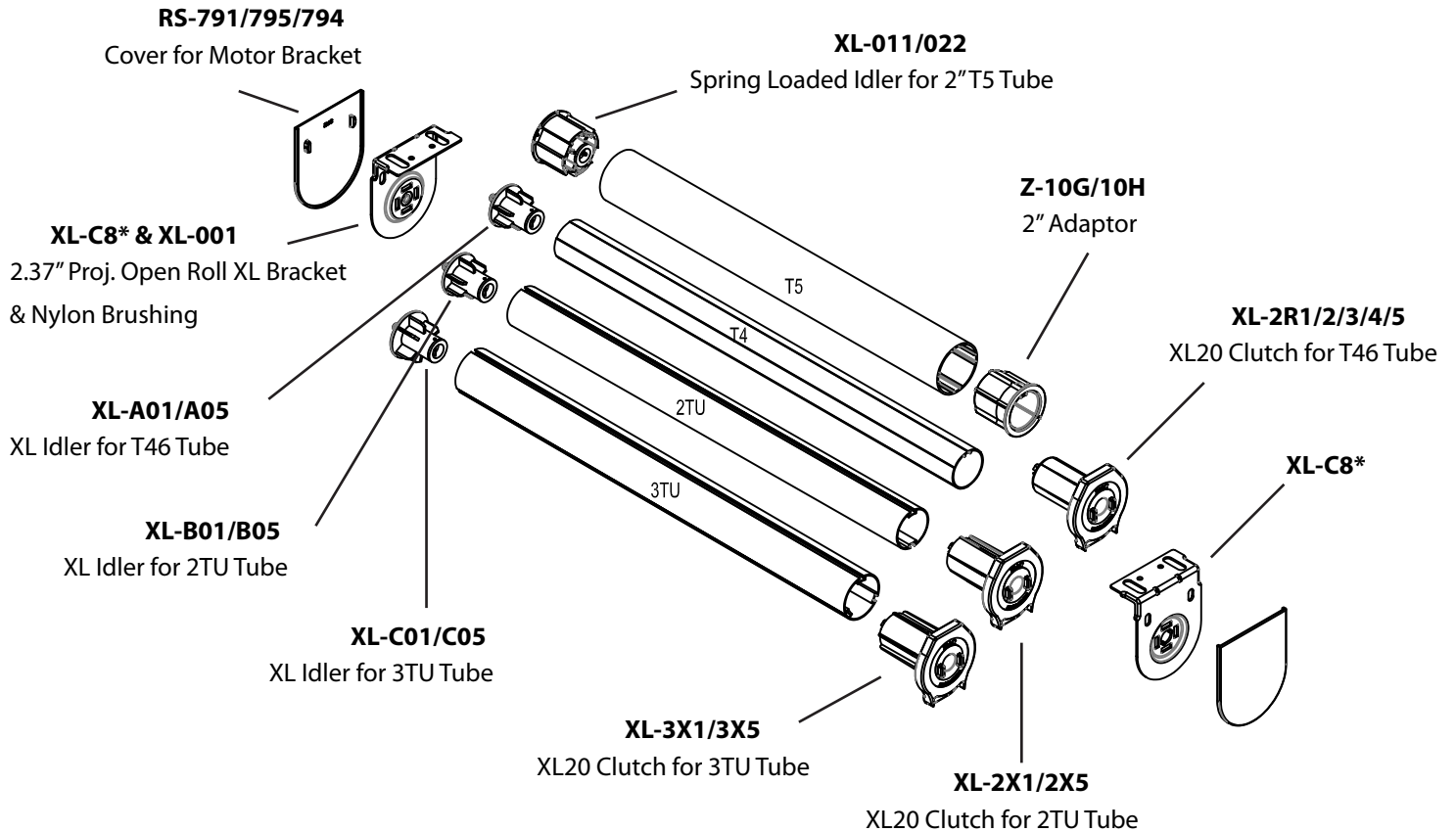


Website: [www.zmc.ca](http://www.zmc.ca)  
 E-mail: [contact@zmc.ca](mailto:contact@zmc.ca)

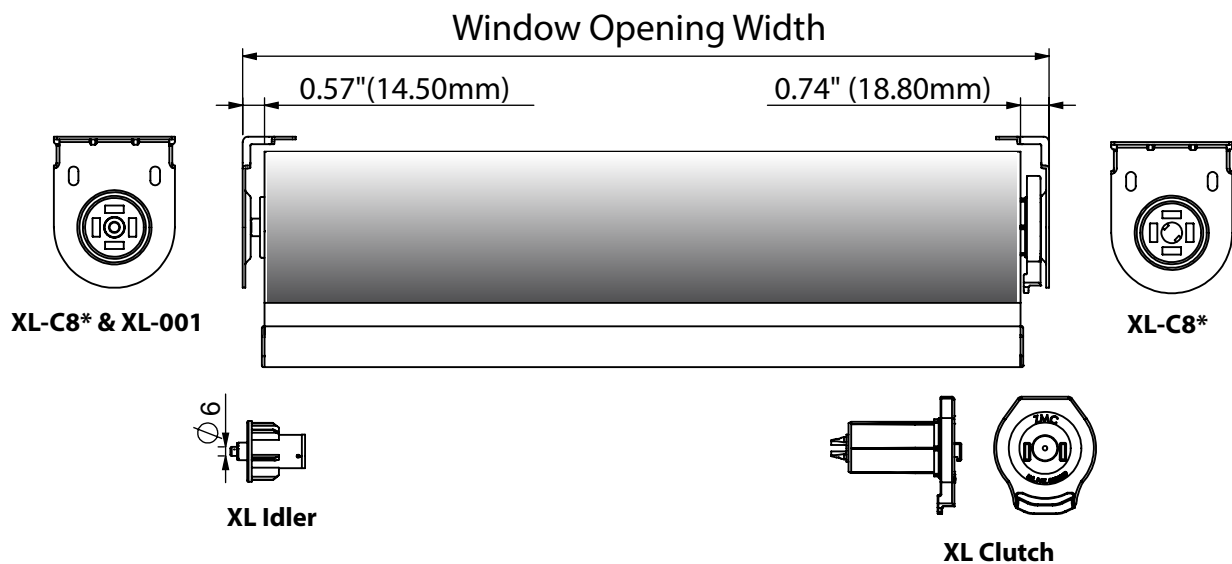
# 2-3/8" Projection Open Roll XL Bracket

## Manual Application

with XL Clutch and XL Spring Loaded Idler



## Tube/ Fabric Deduction



For more information please contact us at:  
 Tel: 1.905.856.3838 or 1.800.541.2557



Website: [www.zmc.ca](http://www.zmc.ca)  
 E-mail: [contact@zmc.ca](mailto:contact@zmc.ca)