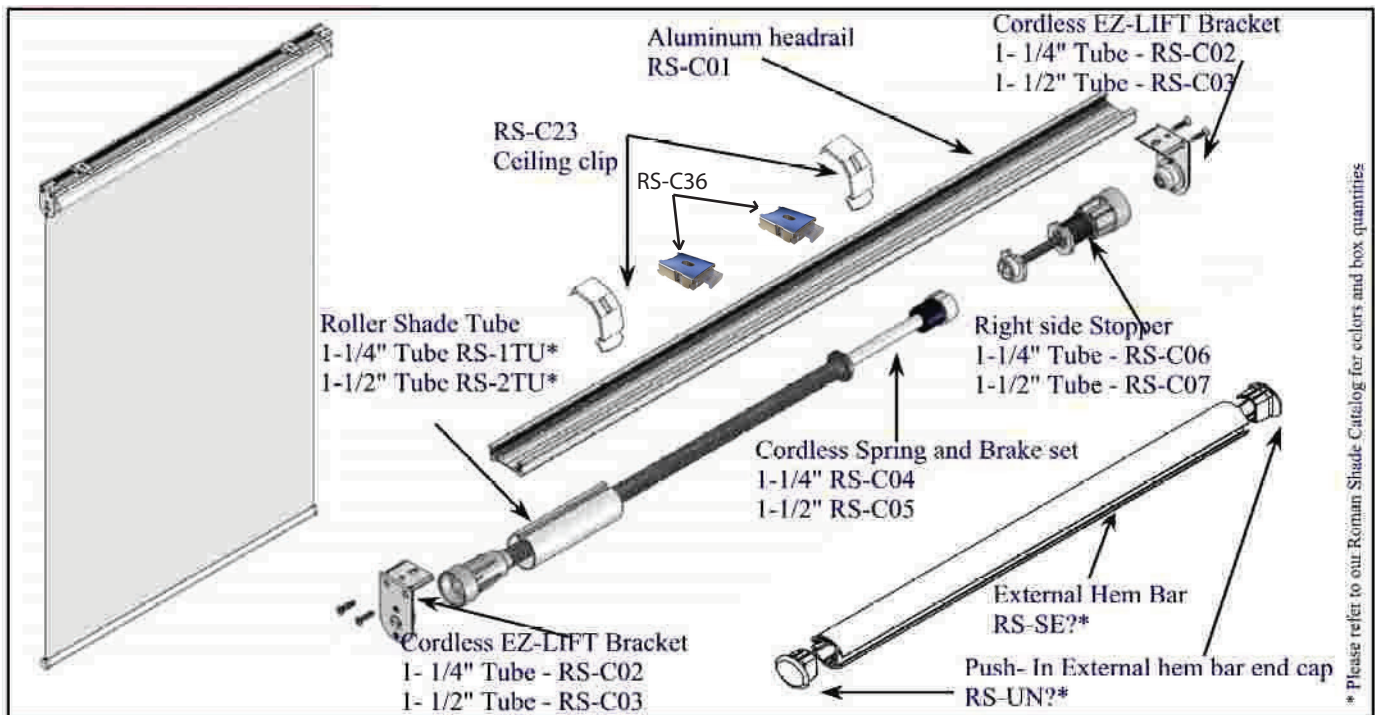
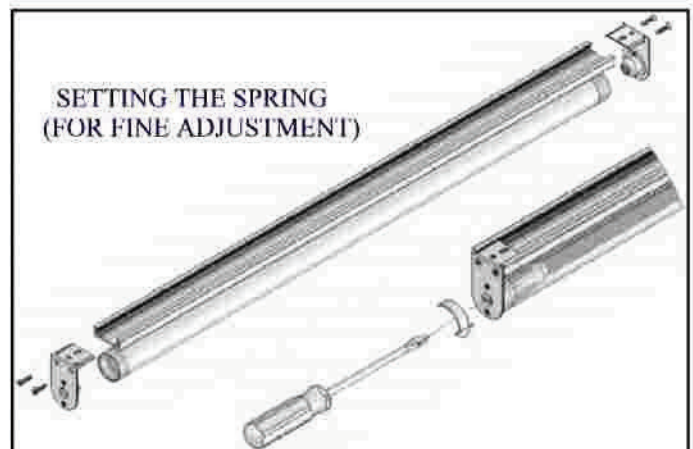


Cordless EZ-LIFT™ Roller Shade

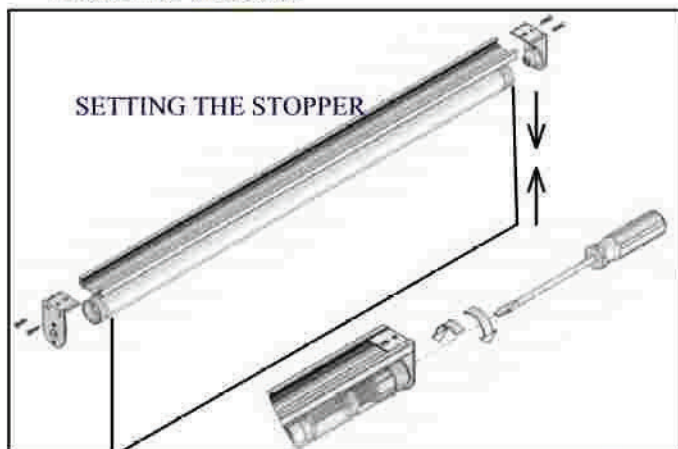
Instructions Diagram (Left Sping RS-C04/C67/C05/C56)



A.- Use a crank to pre-load the spring in a clockwise direction



B.- Once the blind is installed you can adjust the spring using a screwdriver



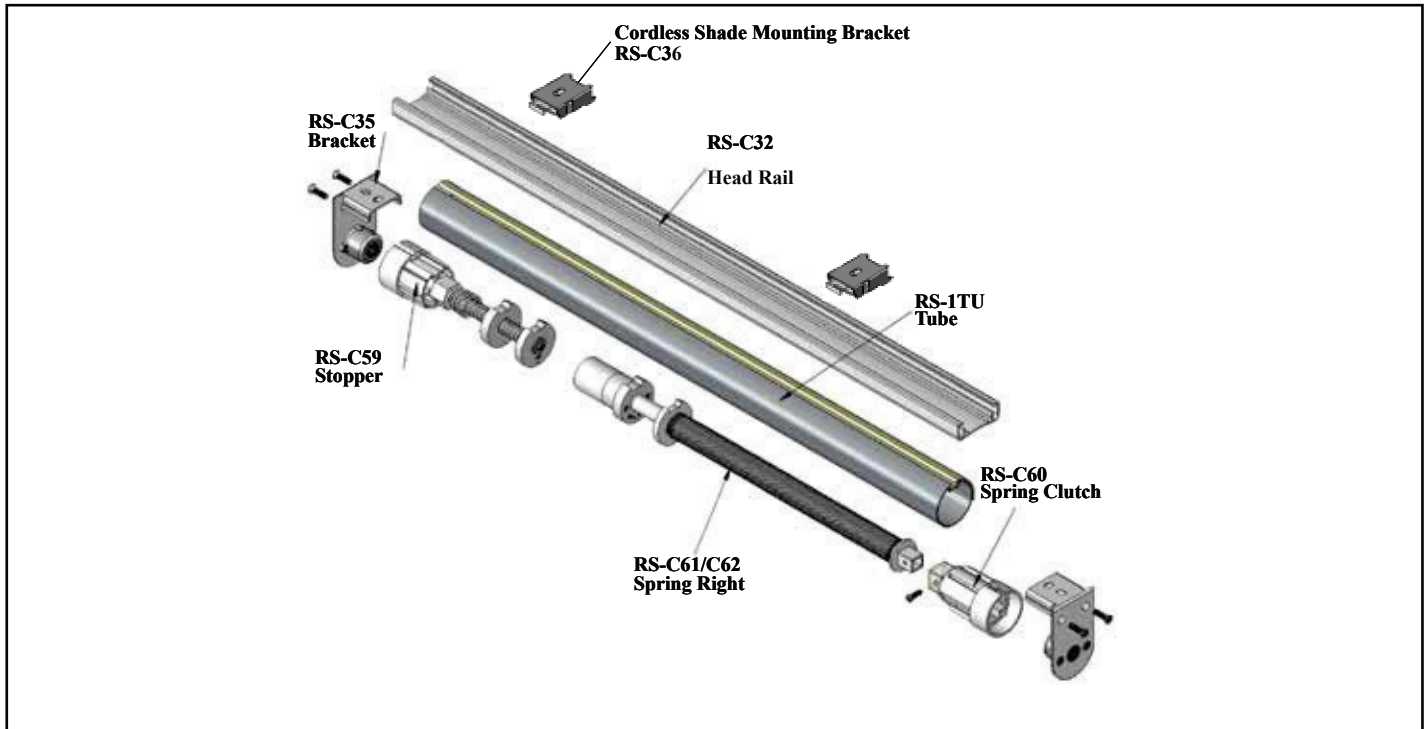
C.-Rotating the screwdriver will set the stop level of the blind

FEATURES AND BENEFITS

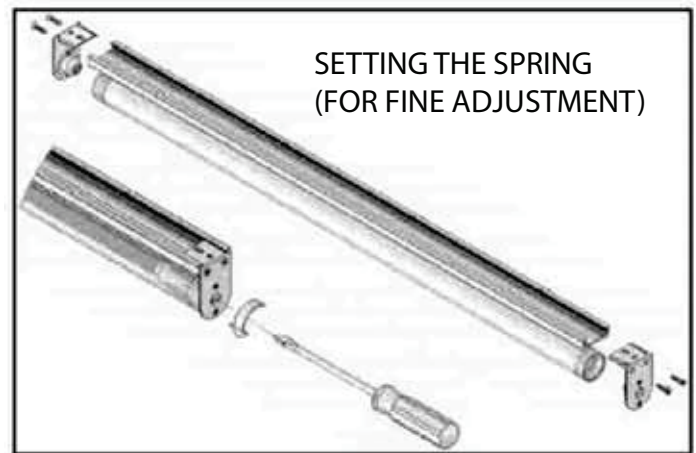
- 1.- No hassles of chain or chain guides. It offers simplicity, greater convenience and safety.
- 2.- Has been in the european market for several years and its the most popular blind.
- 3.- Easy to roll up and down with a hand. Very simple to handle.
- 4.- The spring assist helps to reduce the lifting loads on larger blinds. It also has an hydraulic damper that provides a smooth wind up of the shade.
- 5.- The stopper has an adjustable locking mechanism that allows you to set the stop level of the blind.

Cordless EZ-LIFT™ Roller Shade

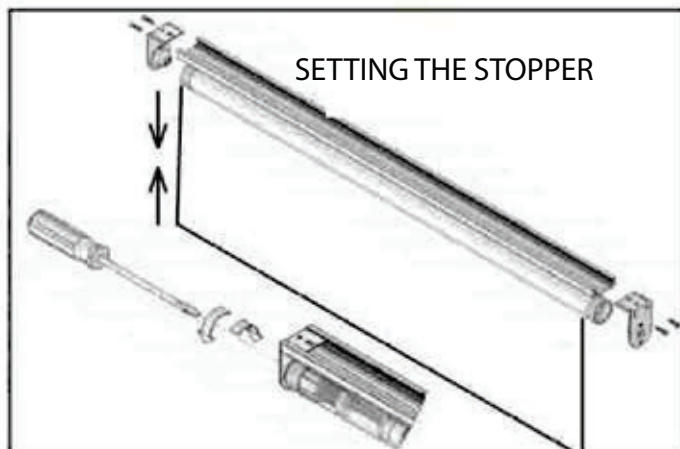
Instructions Diagram (Right Spring RS-C61/C62)



A - Use a crank to pre-load the spring in a clockwise direction



B - Once the blind is installed you can adjust the spring using a screwdriver



C - Rotating the screwdriver will set the stop level of the blind

FEATURES AND BENEFITS

- 1.- No hassles of chain or chain guides. It offers simplicity, greater convenience and safety.
- 2.- Has been in the european market for several years and its the most popular blind.
- 3.- Easy to roll up and down with a hand. Very simple to handle.
- 4.- The spring assist helps to reduce the lifting loads on larger blinds. It also has an hydraulic damper that provides a smooth wind up of the shade.
- 5.- The stopper has an adjustable locking mechanism that allows you to set the stop level of the blind.