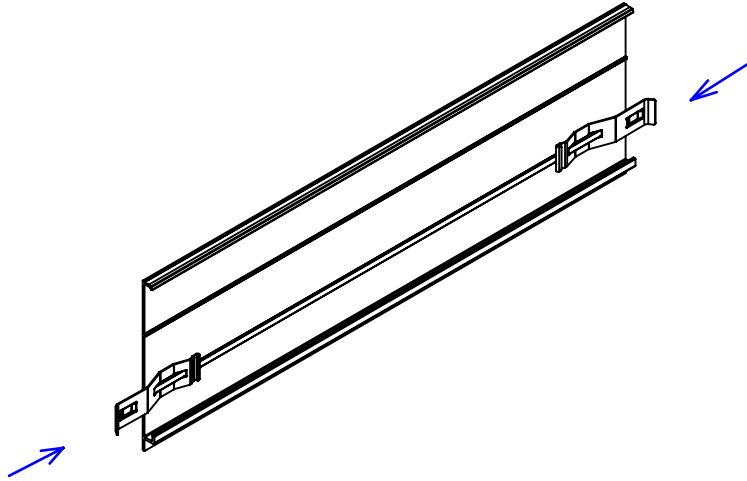
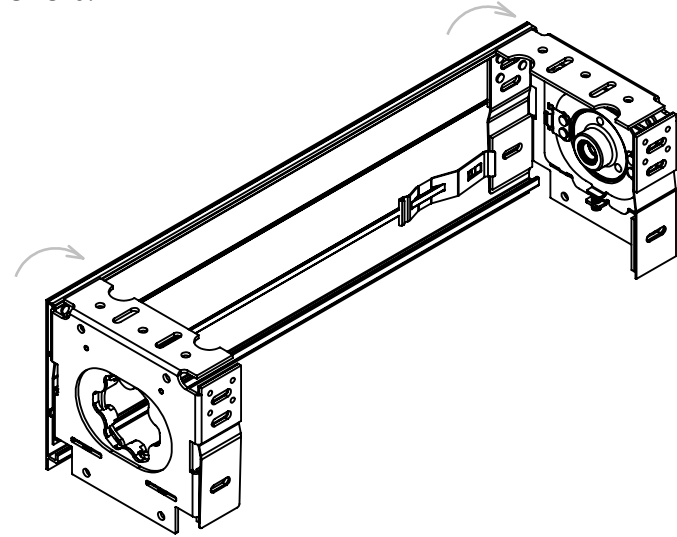


## 5.5" Fascia and Bottom Closure Panel Installation

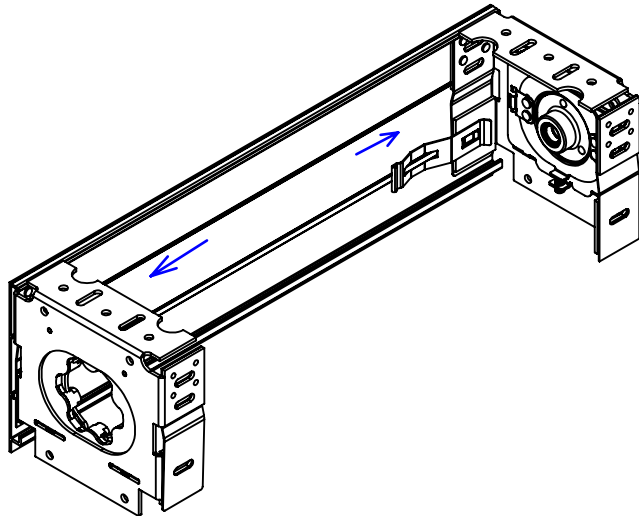
**1.** Insert Spring Locks into the both end sides of 5.5" Fascia.



**2.** Hook 5.5" Fascia onto the mounted 5.5" Smart Head Box Brackets.



**3.** Slide a Spring Lock towards drive side bracket and locks with it; Operate the same way at the idler side bracket.



**4.** After 5.5" Fascia is fixed on the both sides brackets, hang on the Bottom Closure Panel to 5.5" Fascia.

