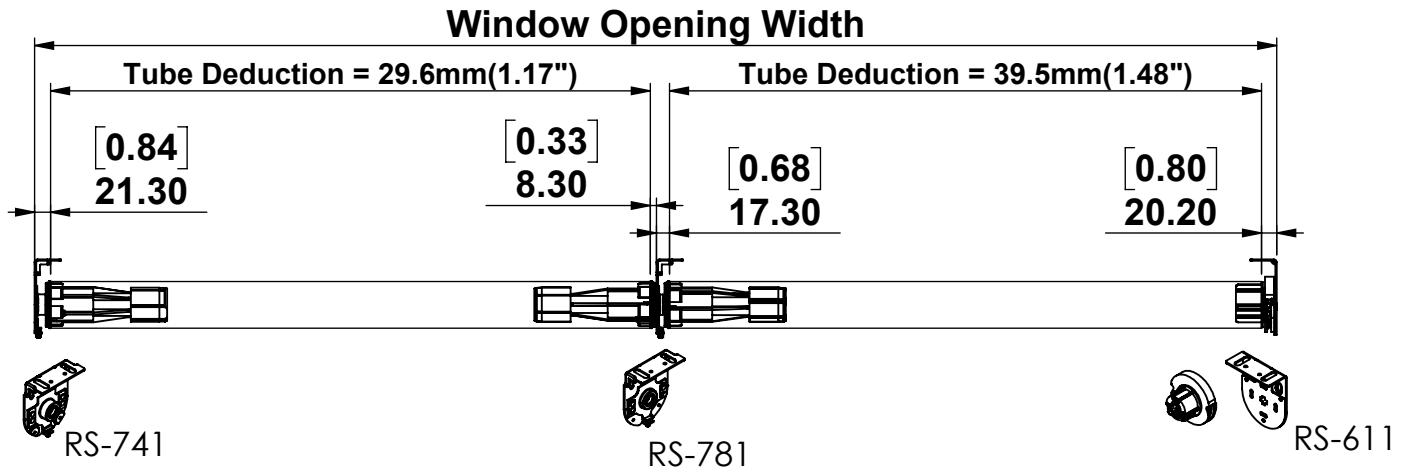


## Tube and Fabric Deduction

2.375" Projection Bracket  
 using Clutch RS-3CX with Adaptor  
 for  $2 \frac{3}{8}$ " Motor Tube

End Cap thickness is: 1.80mm(0.07")




**Tube Deduction for**  
 2 3/8" Tube with 1 3/4" RS clutch