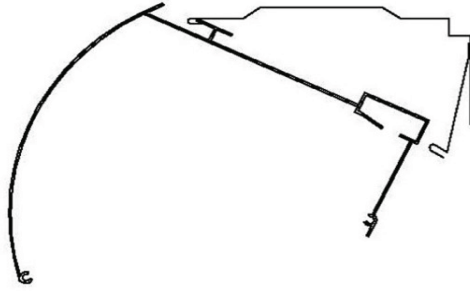
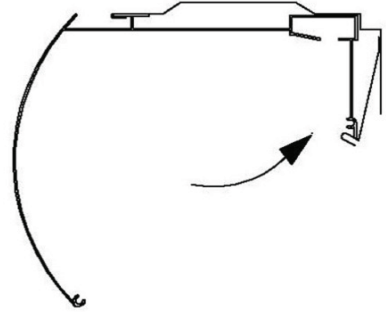


Smart Cassette Installation & Removing

Installation

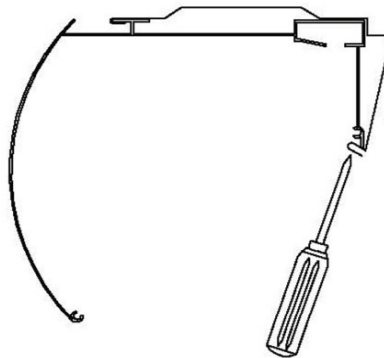


1. Engage the Cassette onto the Mounting Bracket

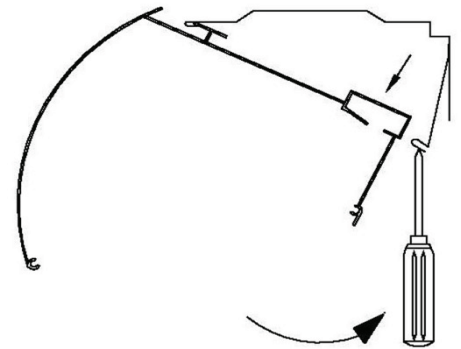


2. Rotate and snap in

Removing

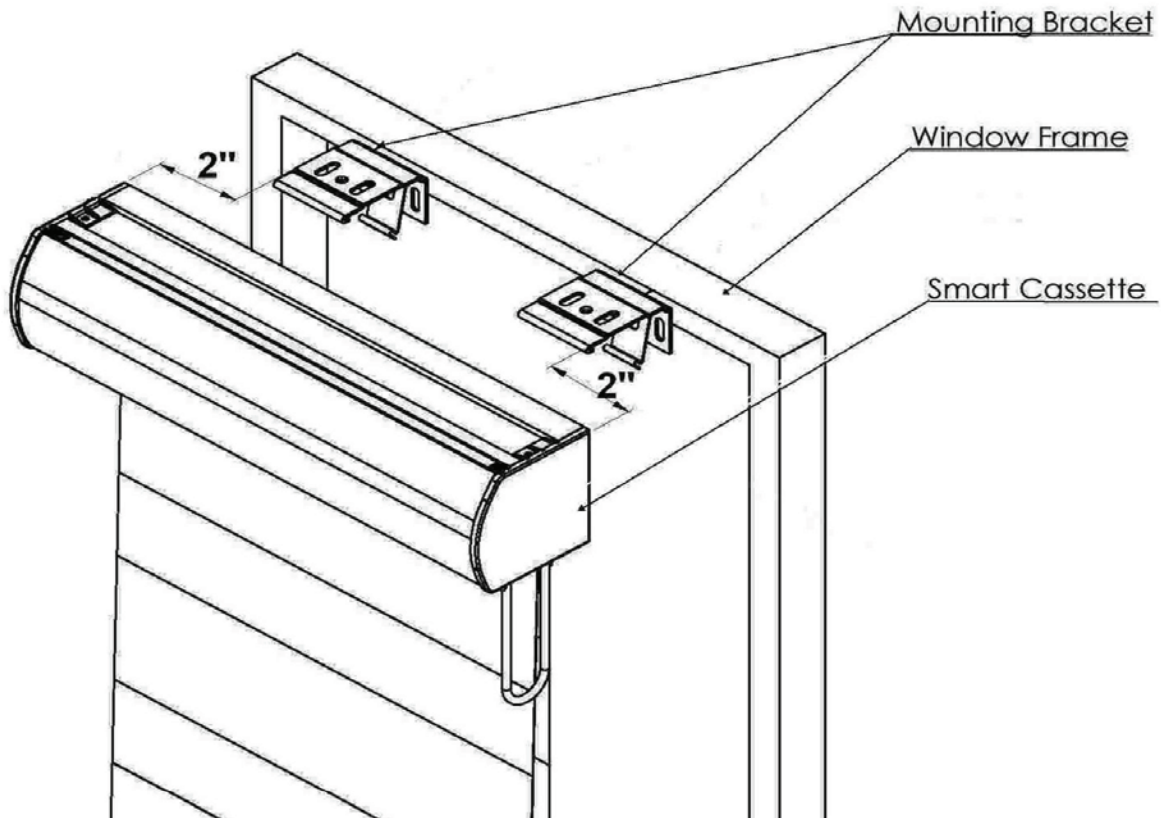


1. Insert the screw driver in the slot of Mounting Bracket

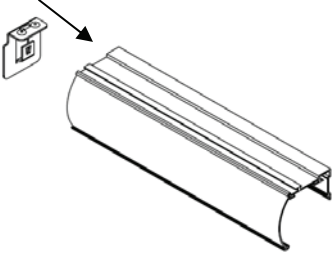
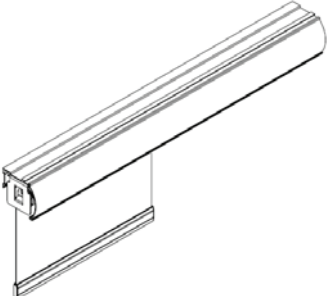
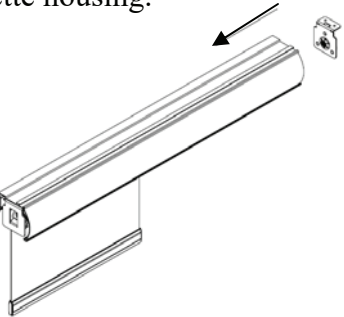
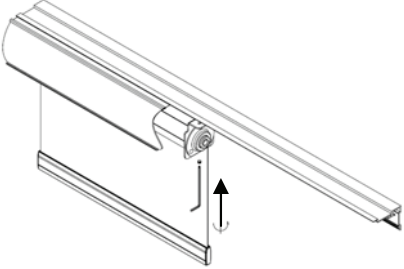
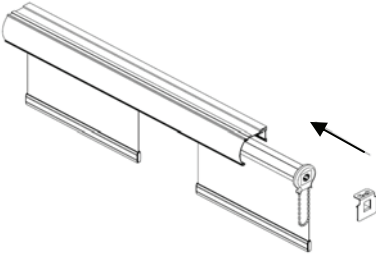
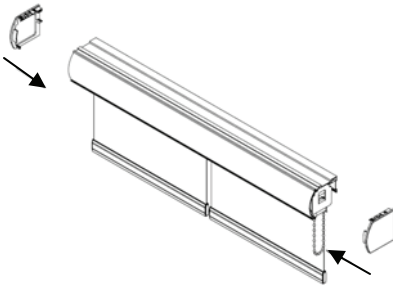


2. Press back to release the cassette

Smart Cassette Mounting Bracket Installation Position



Smart Cassette Multi-band Roller Shade Installation Instruction

<p>1. Cut all parts (cassette, tube, fabric and bottom bar) to the right size according to deduction sheet (Please refer to Smart Cassette Deduction Sheet for Multi-band Roller Shade).</p>	<p>2. Insert idle end bracket into cassette housing.</p> 
<p>3. Insert idle end of pre-assembled roller shade into idle end bracket.</p> 	<p>4. Insert intermediate/centre support bracket into cassette housing.</p> 
<p>5. Lock the intermediate /centre support bracket using the screws.</p> 	<p>6. Insert other pre-assemble roller shade and insert clutch end bracket into cassette housing and clutch.</p> 
<p>7. Put in end caps</p> 	<p>8. Drill one hole on each side of top cassette and insert plastic locking pins.</p> 