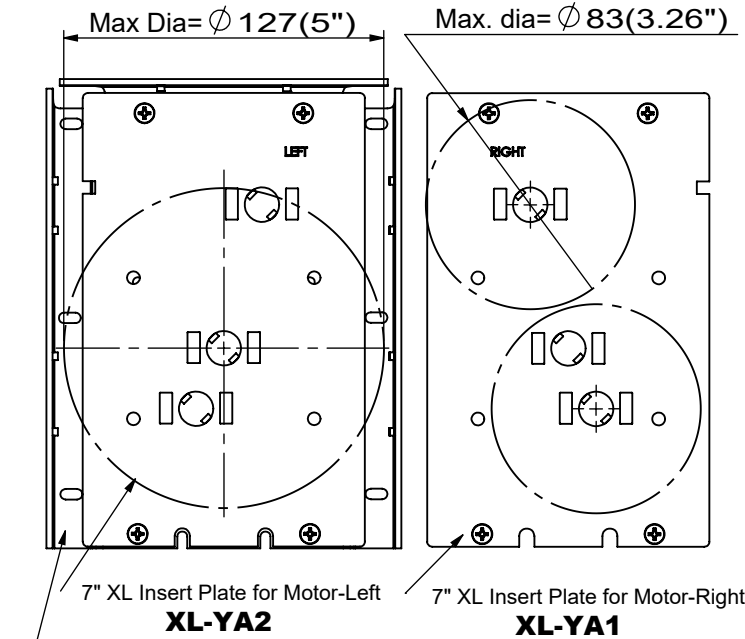


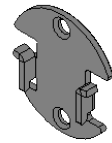
# 7" XL Insert Plate for Motor

## FEATURES & BENEFITS

- \* Right and Left control both available
- \* Up to 18 Nm maximum torque with Metal Plate
- \* Add Nylon Bushing to make an Idler plate
- \* Compatible with motor Intermediate/ Idle End Insert Plates
- \* Idle End options for XL Idler (6mm), Spring Loaded Idler & Retractable Idler (10mm/12mm)
- \* Single shade option for max. 5" fabric roll diameter



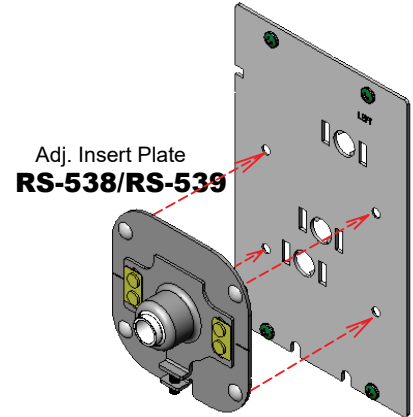
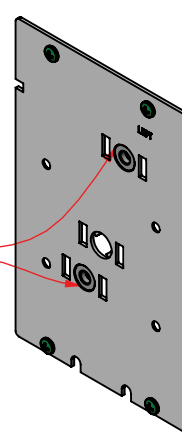
7" Fascia Bracket  
**RS-WT\***



Metal Plate  
**XL-029**

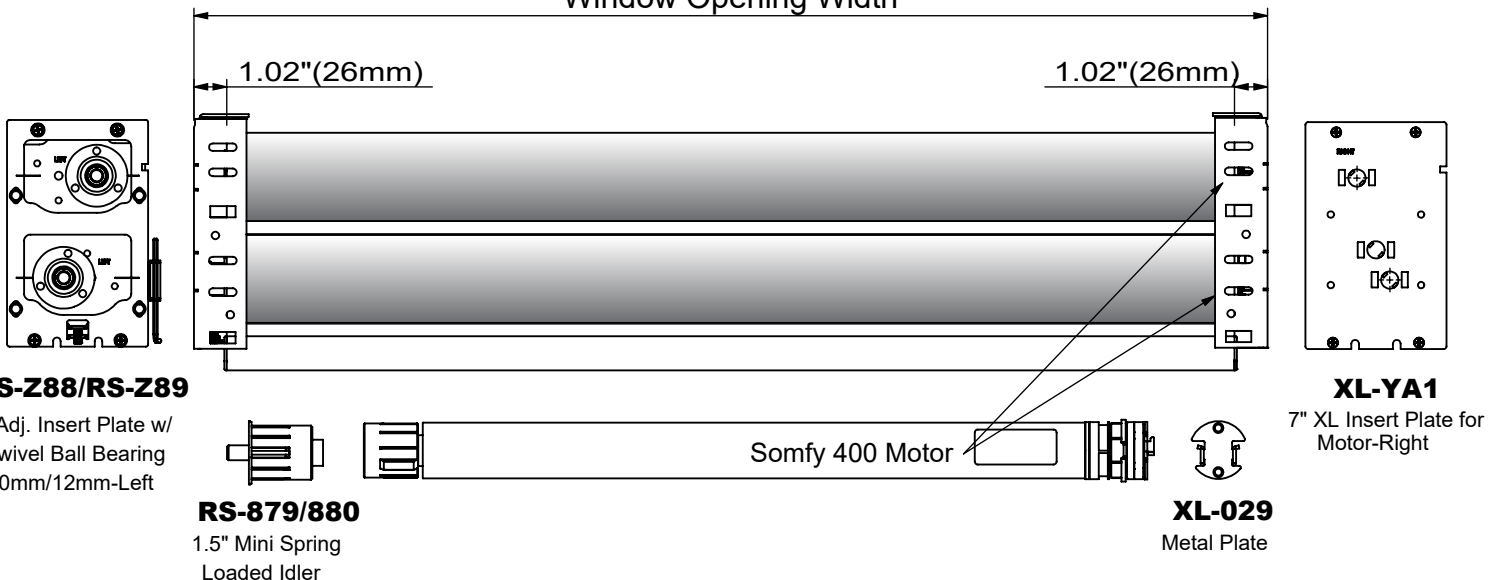


Nylon Bushing  
**XL-001**



## With Somfy 400 Motor 1.5" Mini Spring Loaded Idler and 1.5" Groove Tube

Window Opening Width

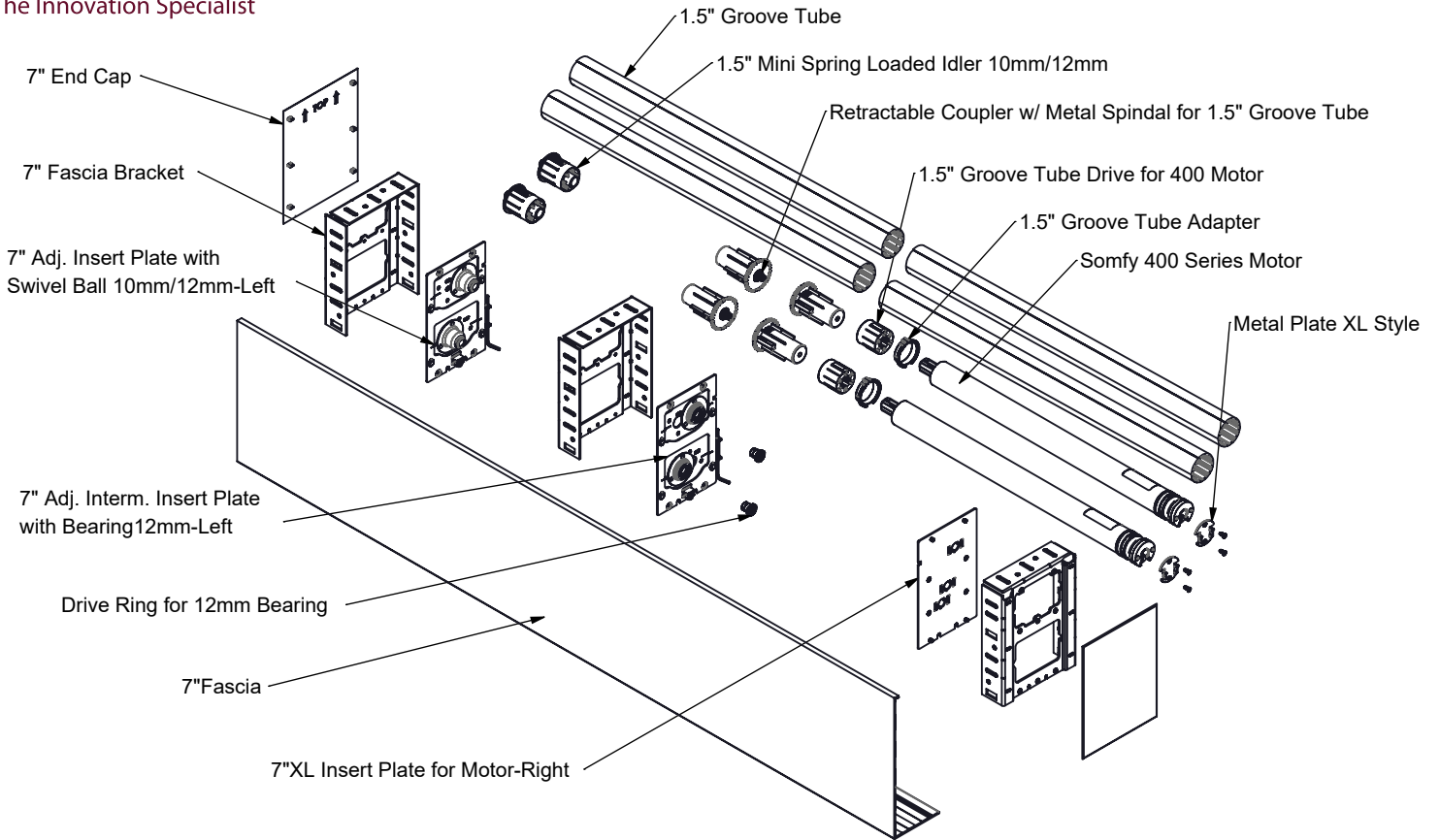


For more information please contact us at:  
 Tel: 1.905.856.3838 or 1.800.541.2557






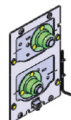


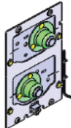


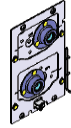


Website: [www.zmc.ca](http://www.zmc.ca)  
 E-mail: [contact@zmc.ca](mailto:contact@zmc.ca)

# 7" XL Insert Plate for Motor



## Idle End Options

Somfy Motor	Idler	Tube	7" Idle End Insert Plate
ST30 WF ST30 R28	XL-A01/A05; XL-B01/B05 XL Idle End 	RS-T46 1.5" Z-Tube RS-2TU 1.5" Z-Tube 	XL-YA2 + XL-002 (Left) XL-YA1 + XL-002 (Right) 
ST40 ST30 WF ST30 R28	RS-879/880 1.5" Mini Spring Loaded Idler 10mm/12mm 	RS-032 1.5" Groove Tube 	RS-Z88/RS-Z86 (Left) RS-Z89/RS-Z87 (Right) 
ST50 Round Head	RS-879/880 Mini Spring Idler RS-887/RS-887 Ultra Spring Loaded Idler 	RS-013 2" Groove Tube 	RS-Z88/RS-Z86 (Left) RS-Z89/RS-Z87 (Right) 
ST50 Round Head	RS-884/RS-881 Retractable Idler 10mm/12mm 	RS-013 2" Groove Tube 	RS-Z93/RS-Z91 (Left) RS-Z84/RS-Z82 (Right) 



For more information please contact us at:  
 Tel: 1.905.856.3838 or 1.800.541.2557



Website: [www.zmc.ca](http://www.zmc.ca)  
 E-mail: [contact@zmc.ca](mailto:contact@zmc.ca)