

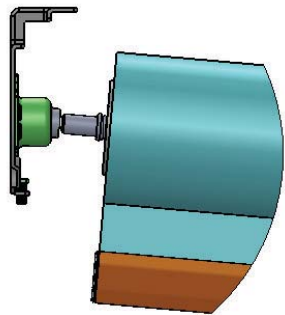
# Swivel Ball Bearing Brackets & Quiet Spring Loaded Idler

## FEATURES Two Roller Bearings for Smooth and Quiet Rotation Interchangeable Tube Drives and Crowns



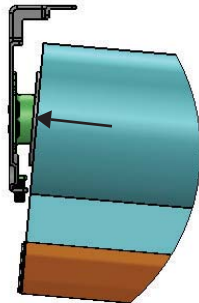
### Installation Steps:

Idler side



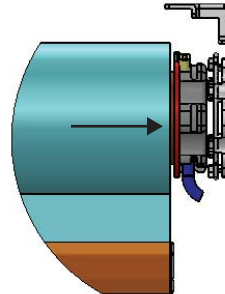
1. Swivel ball bearing to align with Idler shaft for easy installation.

Idler side



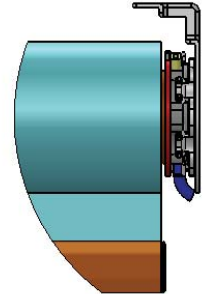
2. Press Idler shaft all the way to the Bracket.

Motor side



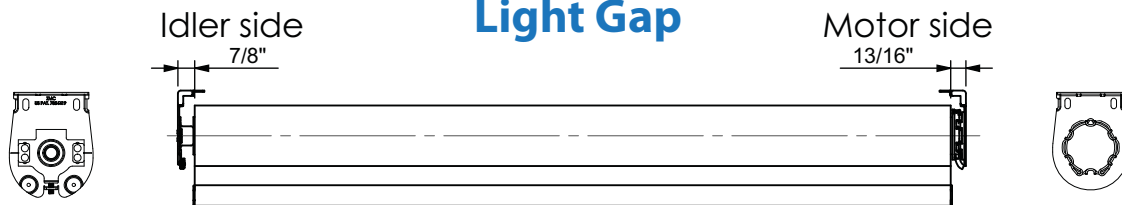
3. Lineup to motor bracket.

Motor side



4. Push motor into Lock Ring properly.

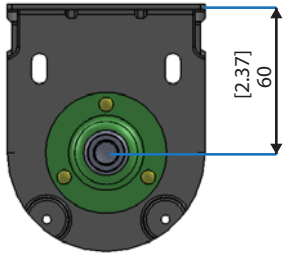
### Light Gap



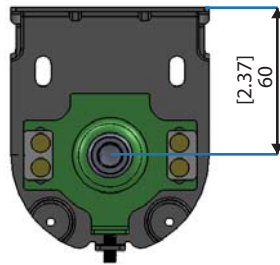
# Swivel Ball Bearing Brackets & Quiet Spring Loaded Idler

## Swivel Ball Bearing with 10mm/12mm Bearing Holes

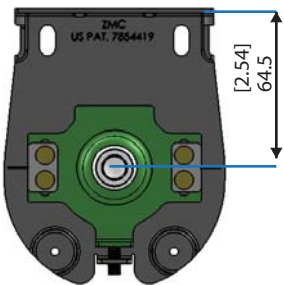
## Max Fabric Wrap



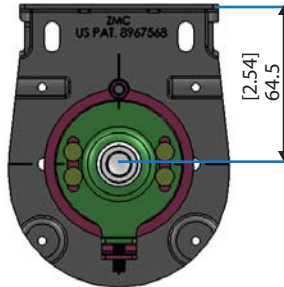
RS-401,5,9/411,5,9



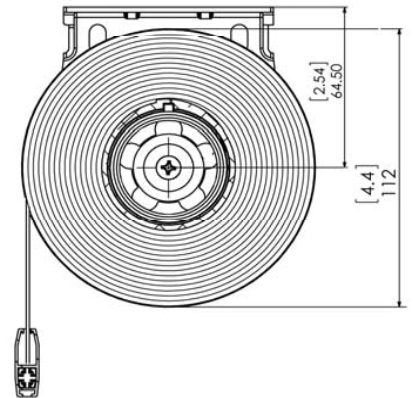
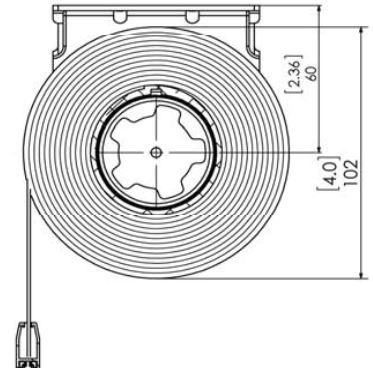
RS-421,5,9/431,5,9



RS-311/321

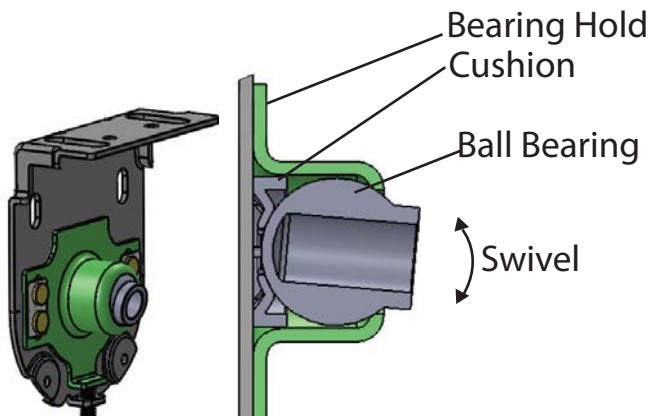


RS-331/341

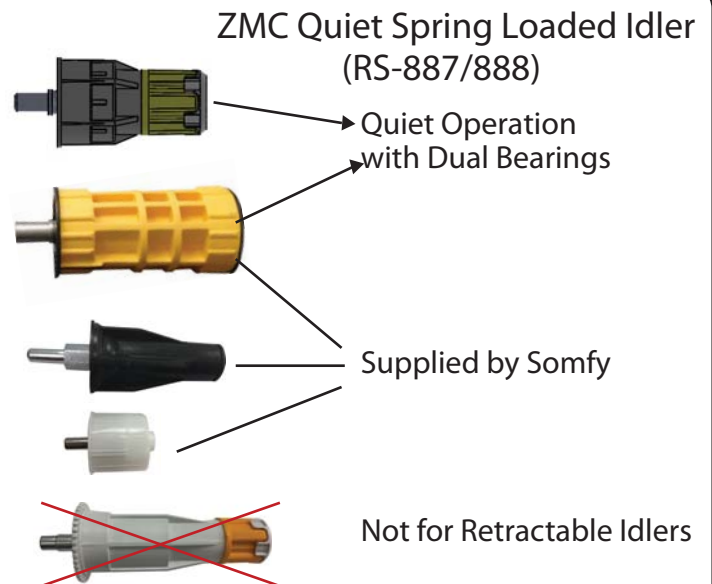


### Patent Pending

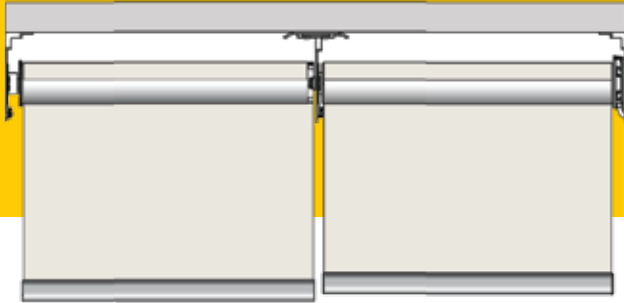
Cushion supports Ball Bearing for snugly fitting in bearing holder



### Fit with Spring Loaded Idlers



# ULTRA Indexable Coupler

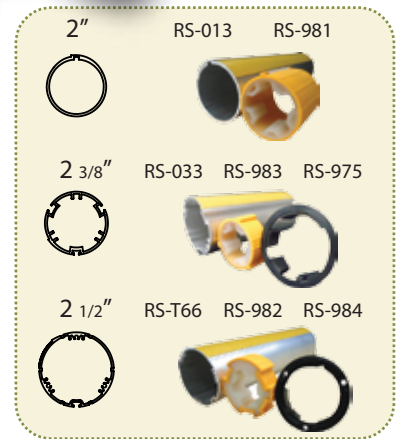


Uneven Bottom Bar

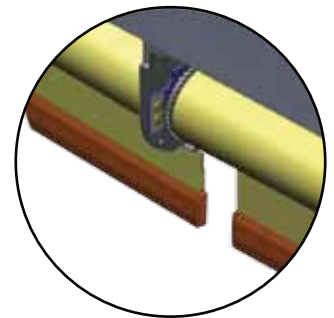
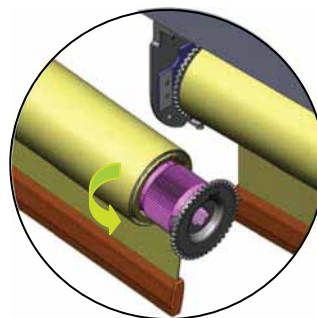
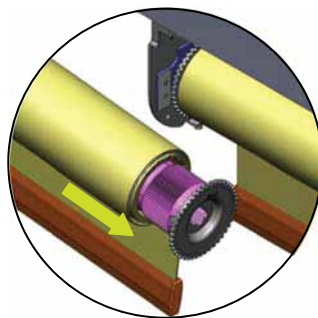
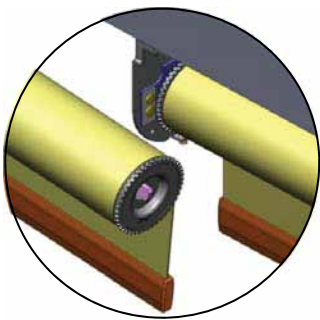


## FEATURES & BENEFITS

- Rubberized Drive provides ultra quiet operation
- Torque transfer via Ultra Drive end is identical to Somfy Motor drive end
- Retractable shaft for simple installation
- Simple and effective way for levelling the Bottom Bar
- 10mm & 12mm Shaft available



## INSTALLATION INSTRUCTIONS



1 Simply disconnect male indexable coupler

2 Slide the inner sleeve part out

3 Index the inner sleeve and slide back into position

4 Reinstall Indexable Coupler into bracket and check levelling of Bottom Bar



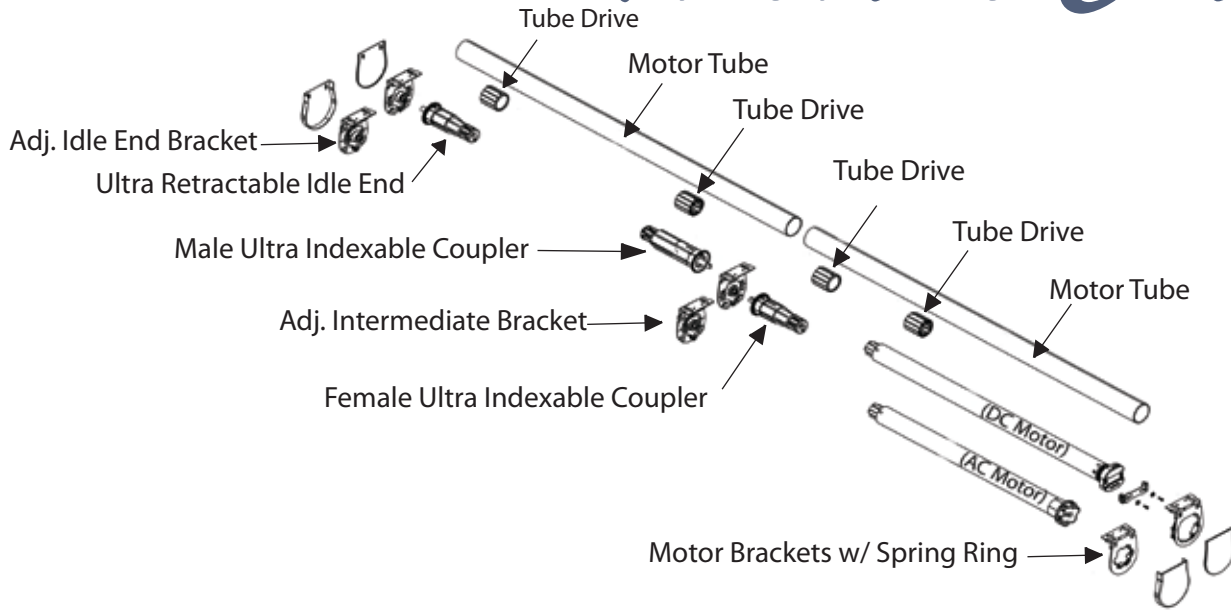
Website: [www.zmc.ca](http://www.zmc.ca)  
E-mail: [contact@zmc.ca](mailto:contact@zmc.ca)



For more information please contact us at:

Tel: 1.905.856.3838 or 1.800.541.2557

# ULTRA Indexable Coupler



SYSTEM	IDLER END	INTERMEDIATE	MOTOR END
2 1/2" Projection Open Roll Bracket	 RS-921, RS-931, RS-551, RS-561	 RS-941, RS-951, RS-571, RS-581	 RS-871, RS-911
2 3/8" Projection Open Roll Bracket	 RS-71*, RS-73*, RS-72*, RS-74*	 RS-75*, RS-77*, RS-76*, RS-78*	 RS-70*, RS-69*
4" Fascia Bracket	 RS-85*, RS-86*	 RS-83*, RS-84*	 RS-81*, RS-54*
5.5" Fascia Bracket	 RS-YF1 + RS-YC4	 RS-YF1 + RS-YC5	 RS-YF1 + RS-YC2/RS-YF5
7" Fascia Bracket	 RS-WT1 + RS-293 + RS-Z91/2/3/4	 RS-WT1 + RS-Z95/6/7/8	 RS-WT1 + RS-Y98/RS-Y99
7 1/2" Open Roll Duo Bracket	 RS-901+ RS-549/RS-550	 RS-901+ RS-547/RS-548	 RS-901+ RS-546/RS-588



# 2 1/2" Tube

## Features and Benefits



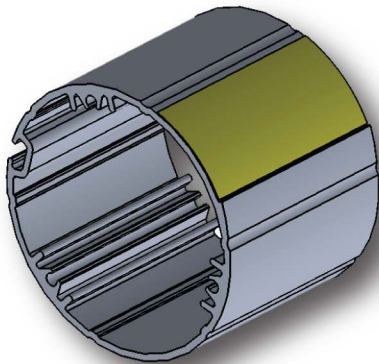
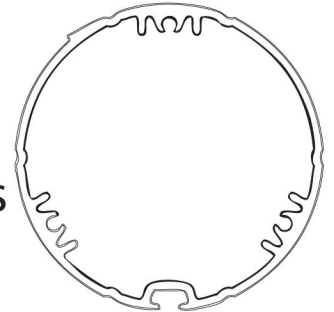
- Heavy Duty tube for wider blind applications
- Unique fabric alignment guide for a perfect line-up of the fabric
- Double sided tape for a quick fabric attachment
- Automation available provided by Somfy



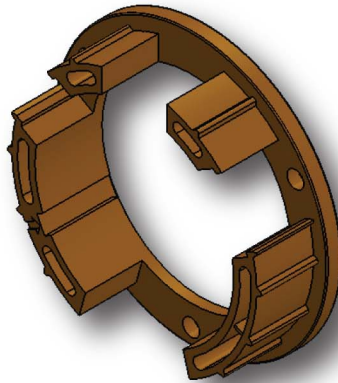
Motor Control:  
Somfy 500 Series



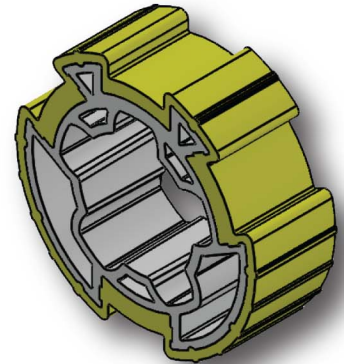
RS-T66  
Qty: 16' x 4 pcs



RS- T66  
2 1/2" Tube  
Qty: 16' x 4pcs



RS- 984  
2 1/2" Crown  
Qty: 1 peice/bag



RS- 982  
2 1/2" Tube Ultra Drive  
Qty: 1 peice/bag



For more information please contact us at:  
Tel: 1.905.856.3838 or 1.800.541.2557



Website: [www.zmc.ca](http://www.zmc.ca)  
E-mail: [contact@zmc.ca](mailto:contact@zmc.ca)

# 2 1/2" Tube

## Spring Assist Roller Shade

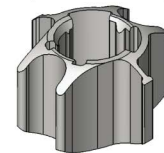


- Lift wider and heavier shades
- Only 6lbs pull force to raise a single band blind
- Maximum Width: 13ft
- Maximum Drop: 18ft (5.5 meters)
- Tube end adaptor and spring assist adaptor available for 2 1/2" tube

### Compatible with:

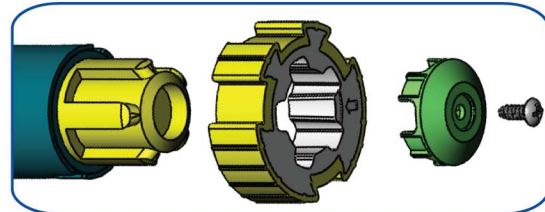
Heavy Duty Spring Assist  
Regular Shade Spring Assist  
Long & Narrow Shade Spring Assist

### Adaptor for Spring Assist (for idle side)

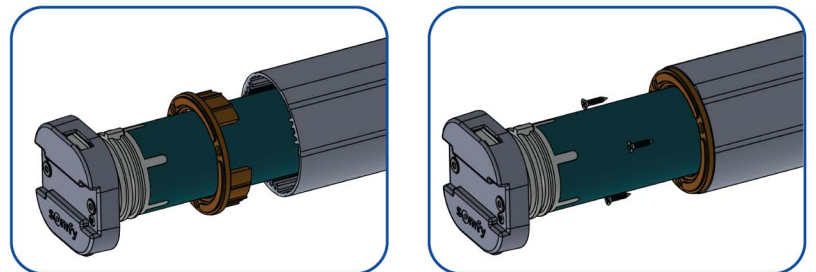


Item # RS-B65

**1** Slide 2 1/2" Tube Ultra Drive onto motor end, Screw in End Cover (provided by Somfy)



**2** Slide Crown into motor. Insert motor in tube. Align crown key way to motor key. Screw crown onto 2 1/2" Tube



**3** Slide motor into 2 1/2" Tube

