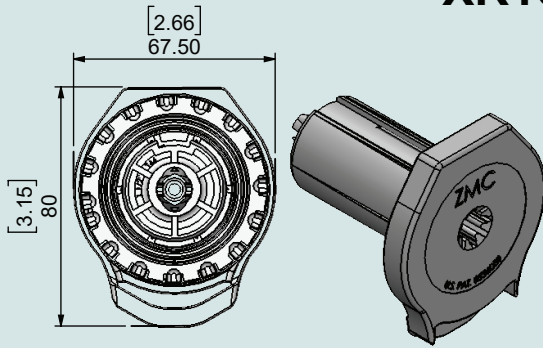
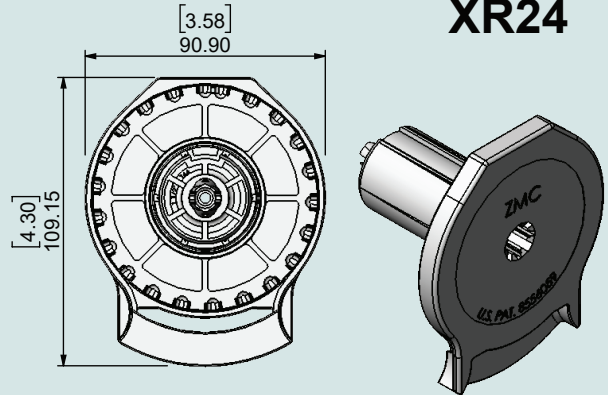


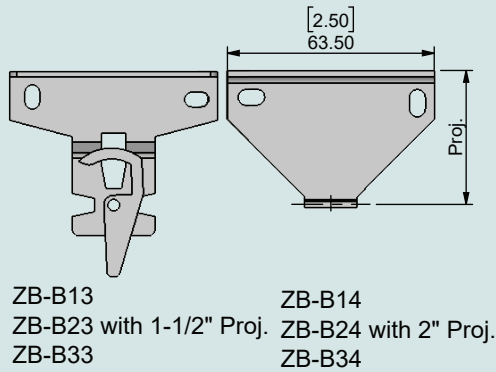
XR16



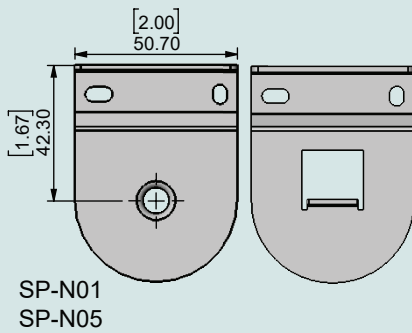
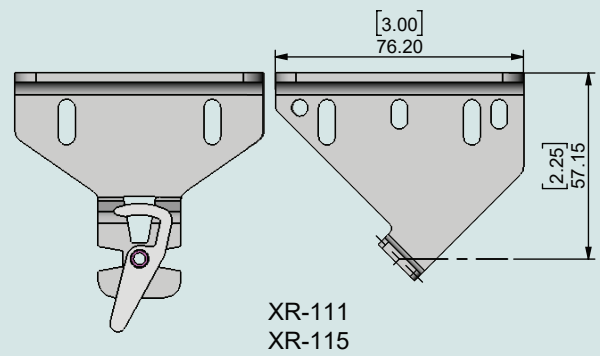
XR24



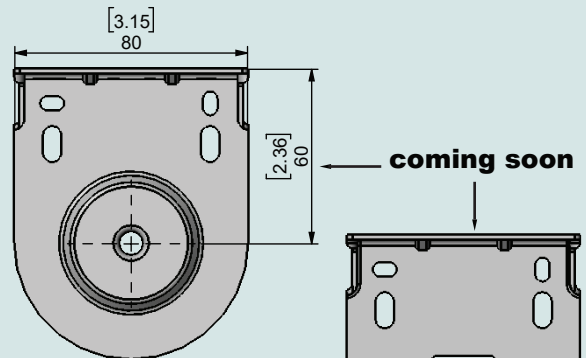
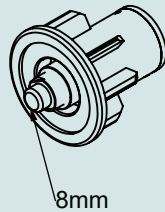
Bracket For XR16



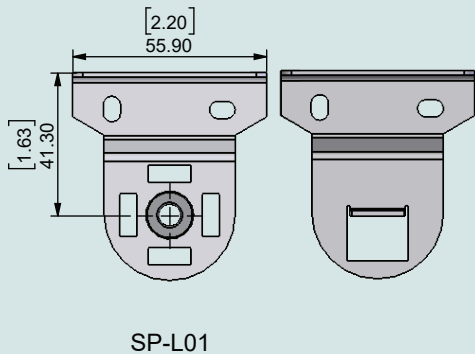
Bracket For XR24



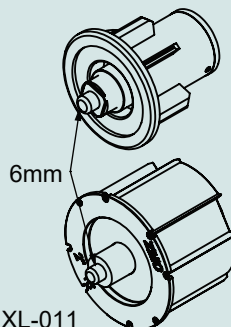
SP-N01
SP-N05



XL-C8* & XL-001/005



SP-L01



XL-011
XL-012



For more information please contact us at:
Tel: 1.905.856.3838 or 1.800.541.2557



Website: www.zmc.ca
E-mail: contact@zmc.ca

XR-Clutch

OPEN ROLL
Projection 1.5"/2"



FASCIA SYSTEM
3"/4"



SMART CASSETTE
3.5"/4"



DUO SHADE SYSTEM
7"



Bracket \ Clutch	Open Roll		3"/4" Fascia		Smart Cassette		7" Fascia
	1.5" Proj.	2" Proj.	3"	4"	3.5"	4"	
XR16	•	•	•	•	•	•	•
XR24	X	•	X	•	X	X	X

Tube \ Clutch	RS-T46 40mm (1-1/2")	RS-T56 50mm (2")	RS-2TU 40mm (1-1/2")	RS-3TU 45mm (1-3/4")	RS-033 60mm (2-3/8")
XR16	XR-2R1/2R5	XR-2R1/2R5*	XR-2R1/2X5	XR-3X1/3X5	XR-3X1/3X5*
XR24	XR-7R1/7R5	XR-7R1/7R5	XR-7X1/7X5	XR-8X1/8X5	XR-8X1/8X5
Adaptor		Z-10G /10H			RS-B42

* Spring Assist is required

US PAT 8556059

Roller bearing provides smooth operation.

Stainless Shims to ensure a lifetime performance

EZ-GLIDE OPTION

Pull down the shade by the bottom bar without damaging the clutch



For more information please contact us at:
Tel: 1.905.856.3838 or 1.800.541.2557



Website: www.zmc.ca
E-mail: contact@zmc.ca