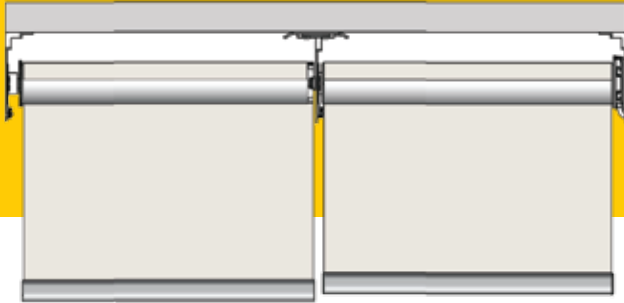


# ULTRA Indexable Coupler

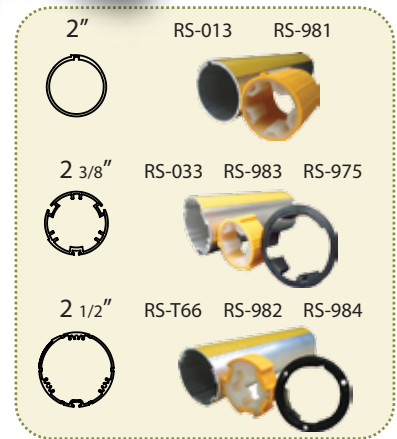


Uneven Bottom Bar

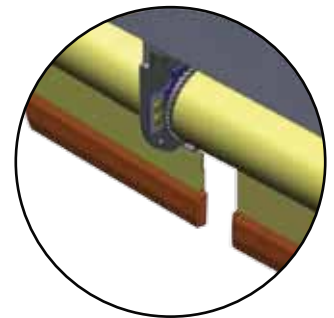
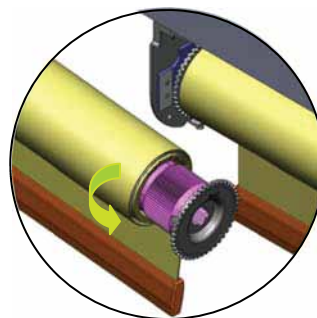
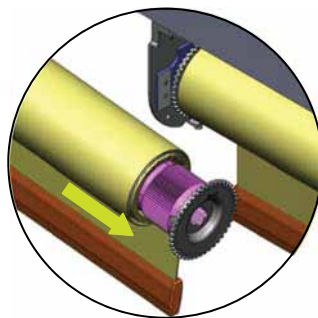
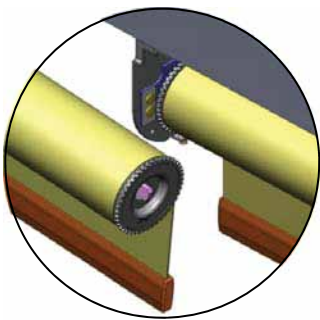


## FEATURES & BENEFITS

- Rubberized Drive provides ultra quiet operation
- Torque transfer via Ultra Drive end is identical to Somfy Motor drive end
- Retractable shaft for simple installation
- Simple and effective way for levelling the Bottom Bar
- 10mm & 12mm Shaft available



## INSTALLATION INSTRUCTIONS



1 Simply disconnect male indexable coupler

2 Slide the inner sleeve part out

3 Index the inner sleeve and slide back into position

4 Reinstall Indexable Coupler into bracket and check levelling of Bottom Bar



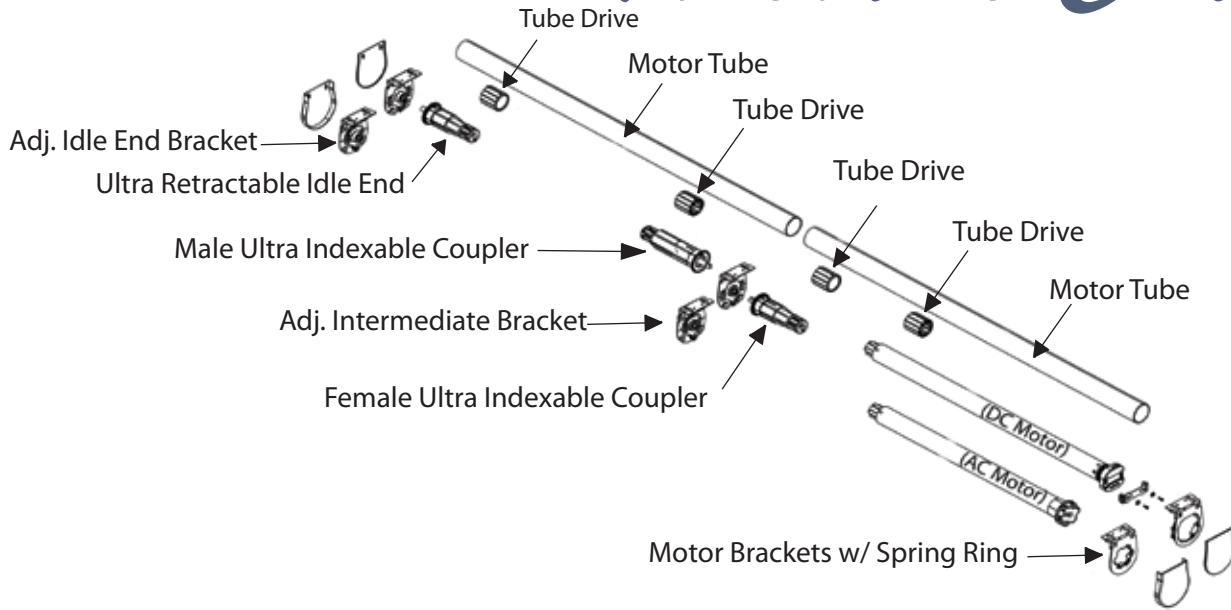
Website: [www.zmc.ca](http://www.zmc.ca)  
E-mail: [contact@zmc.ca](mailto:contact@zmc.ca)



For more information please contact us at:

Tel: 1.905.856.3838 or 1.800.541.2557

# ULTRA Indexable Coupler



SYSTEM	IDLER END	INTERMEDIATE	MOTOR END
2 1/2" Projection Open Roll Bracket	 RS-921, RS-931, RS-551, RS-561	 RS-941, RS-951, RS-571, RS-581	 RS-871, RS-911
2 3/8" Projection Open Roll Bracket	 RS-71*, RS-73*, RS-72*, RS-74*	 RS-75*, RS-77*, RS-76*, RS-78*	 RS-70*, RS-69*
4" Fascia Bracket	 RS-85*, RS-86*	 RS-83*, RS-84*	 RS-81*, RS-54*
5.5" Fascia Bracket	 RS-YF1 + RS-YC4	 RS-YF1 + RS-YC5	 RS-YF1 + RS-YC2/RS-YF5
7" Fascia Bracket	 RS-WT1 + RS-293 + RS-Z91/2/3/4	 RS-WT1 + RS-Z95/6/7/8	 RS-WT1 + RS-Y98/RS-Y99
7 1/2" Open Roll Duo Bracket	 RS-901+ RS-549/RS-550	 RS-901+ RS-547/RS-548	 RS-901+ RS-546/RS-588

