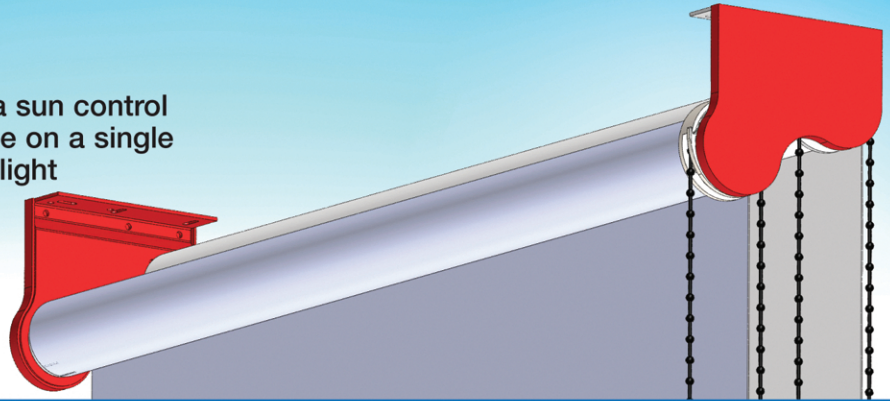


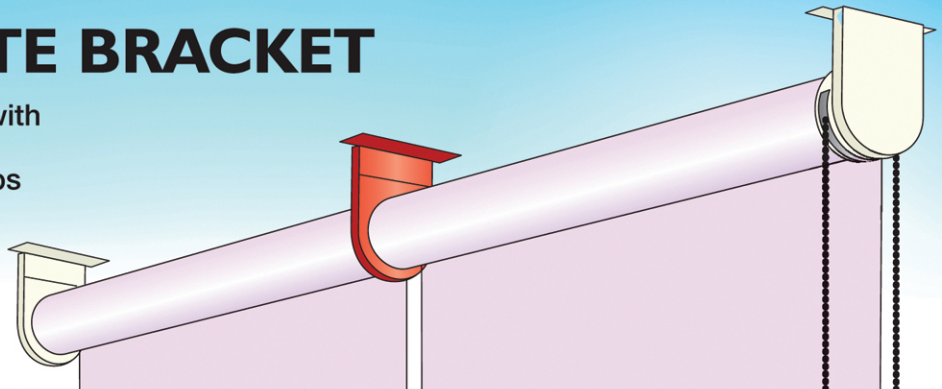
## DUO SHADE

Duo Shade allows installation of a sun control fabric shade and a blackout shade on a single mounting bracket providing both light filtering and room darkening. Compact size permits two shades to fit in a smaller room projection than two individually installed shades on the same window.



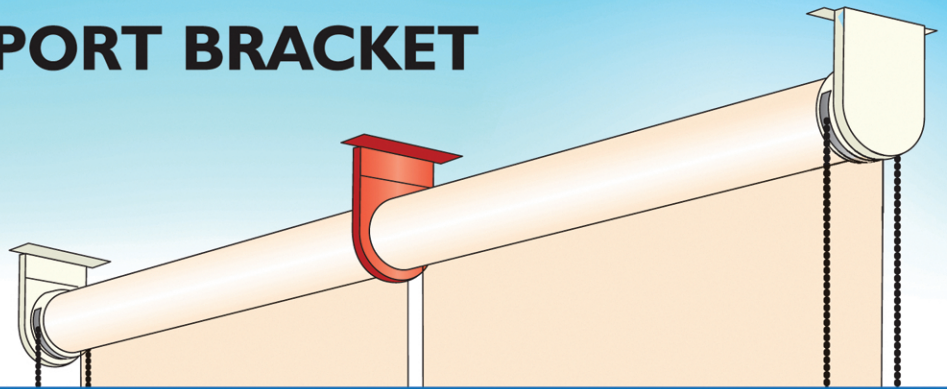
## INTERMEDIATE BRACKET

Join 2 roller shades together with 1 control using sealed roller bearing with recessed end caps to reduce light gap.



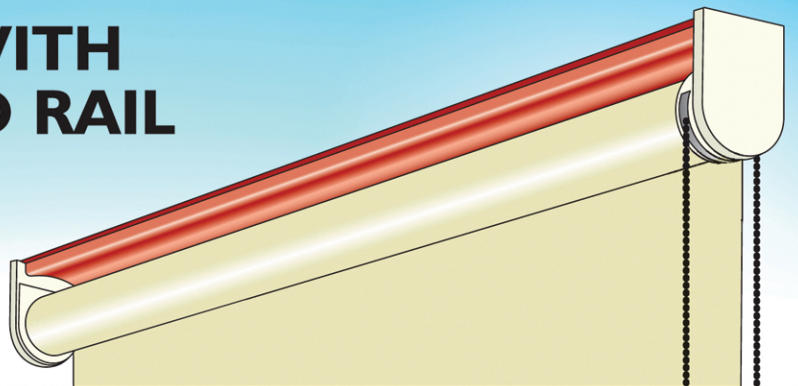
## CENTER SUPPORT BRACKET

Center support bracket for 2 independently operated shades with 2 spring loaded recessed end caps to reduce light gap.



## ROLLER SHADE WITH ALUMINUM HEAD RAIL

Roller Shade with an aluminum head rail system for easy installation and removal.

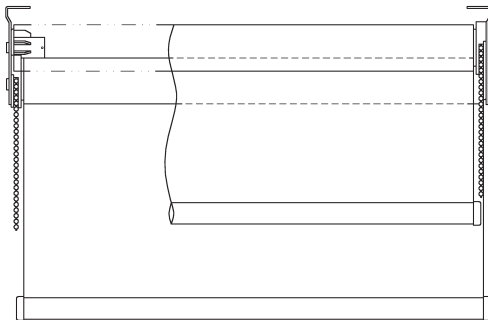


For more information please contact us at:

Tel: 1.905.856.3838 or 1.800.541.2557  
1.770.682.4548 (U.S. office)

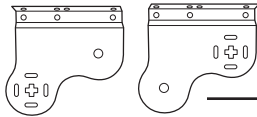
Website: [www.zmc.ca](http://www.zmc.ca)  
Email: [contact@zmc.ca](mailto:contact@zmc.ca)

## Duo Shade

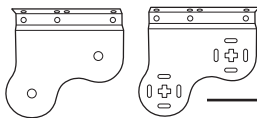


Intermediate and Center Support brackets for Duo Shade also available, please contact our customer service representatives for more information.

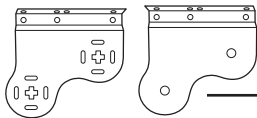
Brackets available for: 1 1/4" (32mm) clutch  
1 1/2" (40mm) clutch  
1 3/4" (45mm) clutch



**Opposite side control**

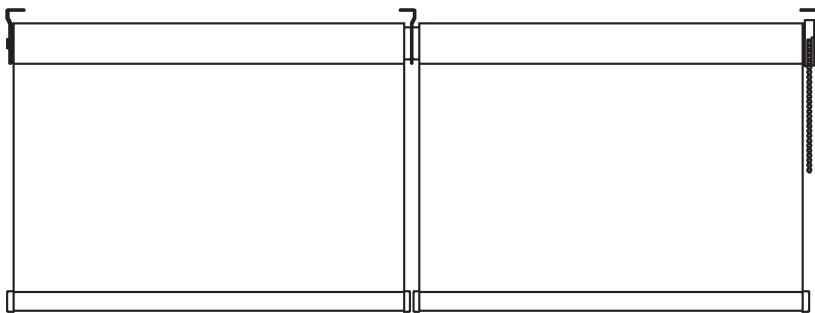


**Same side RIGHT control**



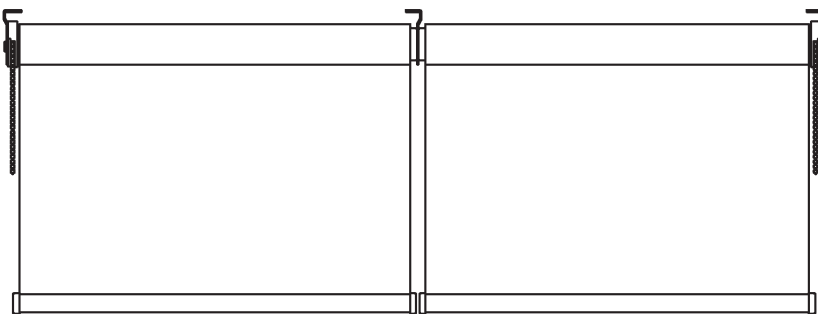
**Same side LEFT control**

## Intermediate Bracket



Brackets and Idle Ends sold separately

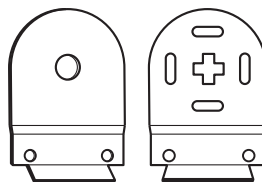
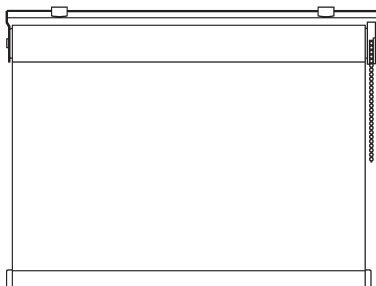
## Center Support Bracket



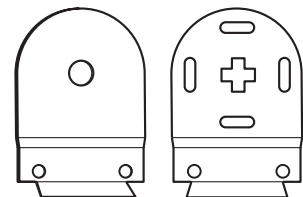
Brackets and Idle Ends sold separately

## Roller Shade with Aluminum Head Rail

Colors available: White and black



1 1/4" (32mm) Insert Type Bracket



1 1/2" (40mm) Insert Type Bracket