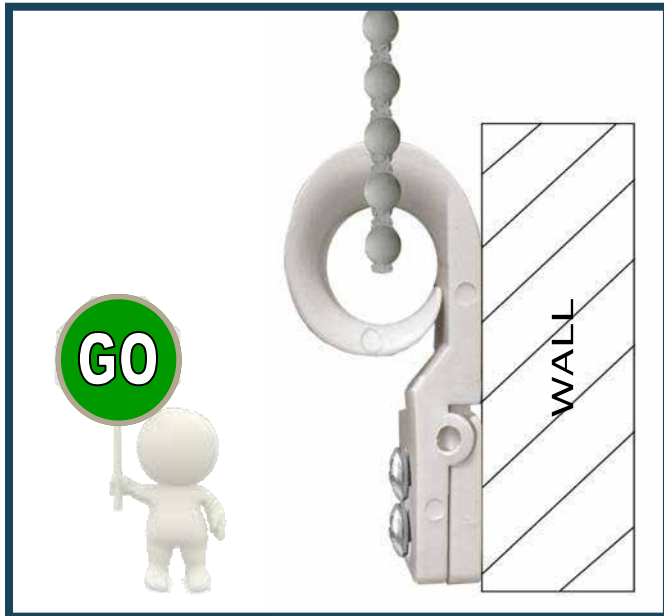




P-Clip Safety Tensioner



The P-Clip has a torsion spring inside that will open the tensioner and will prevent the chain from sliding through it. The tensioner will then render the shade partially inoperable if it is loose from the wall.

This preventive measure will force the homeowner to take action before it becomes a safety hazard for young children.



- COMPLIES WITH BOTH ANSI/WCMA A100.1-2012 AND CSA Z600-14 SAFETY STANDARD
- AVAILABLE IN VARIOUS COLORS.
- PATENT PENDING DESIGN.



COLORS AVAILABLE



Clear
VC-626



White
VC-621



Alabaster
VC-623



Anodized
VC-624



Bronze
VC-622



Black
VC-625



Website: www.zmc.ca
E-mail: contact@zmc.ca



For more information please contact us at:
Tel: 1.905.856.3838 or 1.800.541.2557



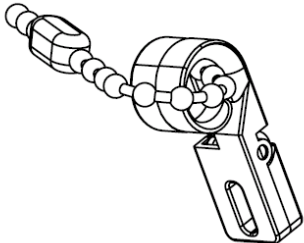
P-Clip Safety Tensioner

VC-621	White	VC-624	Anodized	Qty: 50 pcs per bag
VC-622	Bronze	VC-625	Black	
VC-623	Alabaster	VC-626	Clear	

INSTALLATION INSTRUCTIONS

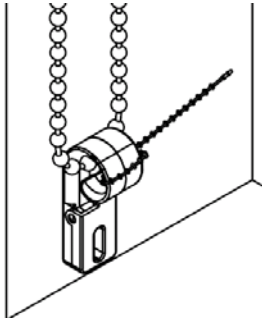
1

Slide the bead chain into the tensioner's hole.



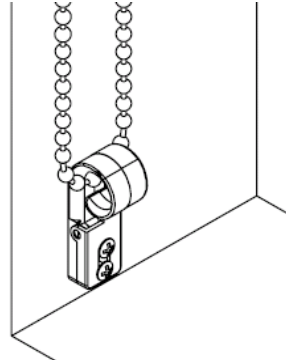
2

Before installation use cable tie provided to close the tensioner. Locate tensioner properly on the wall, holding the chain loop taut, but allowing chain stopper to go through.



3

Fasten screws, then cut off the cable tie and dispose of it properly.



Safety

First