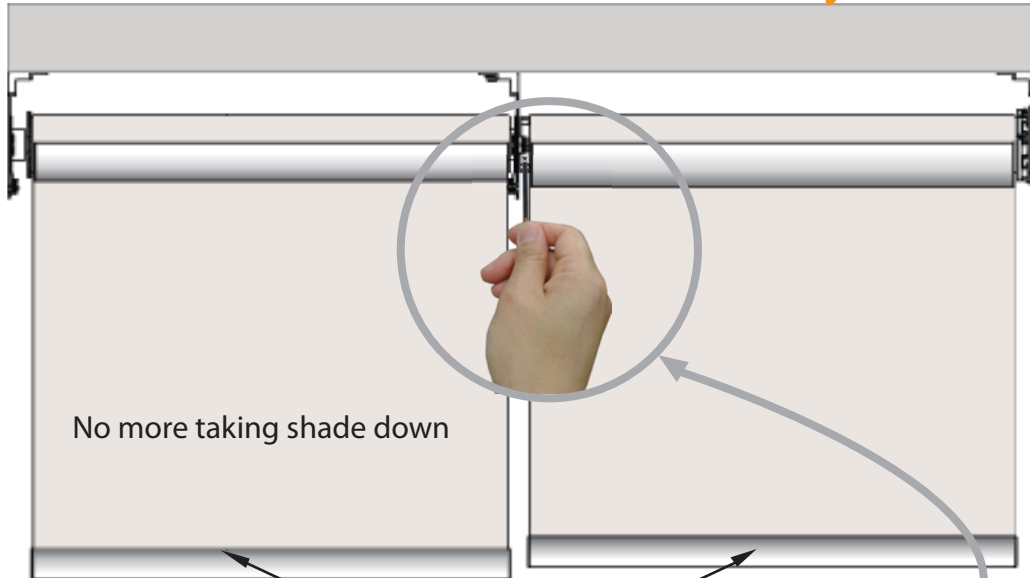


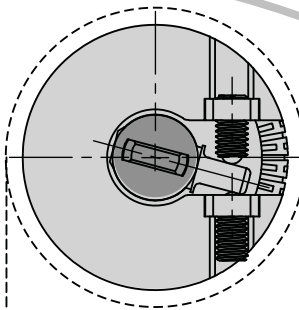
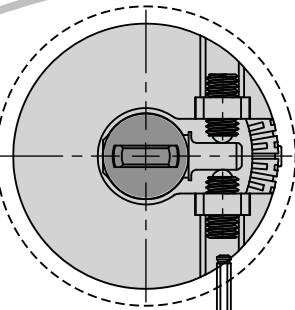
EZ-Adjustable Coupler

No need to disconnect shades to adjust uneven bottom bar



No more taking shade down

Uneven Bottom Bar



Adjust Screws to level bottom bar

$\pm 1/4"$ Adjustment (total $1/2"$)



RS-674
 EZ-Adjustable Coupler with 12mm Shaft

(Works with Retractable Idler)



RS-677
 EZ-Retractable Coupler with 12mm Shaft

(Works with Spring Loaded Idler)



RS-013 RS-981

RS-033 RS-983 RS-975

RS-T66 RS-982 RS-984



Website: www.zmc.ca
 E-mail: contact@zmc.ca



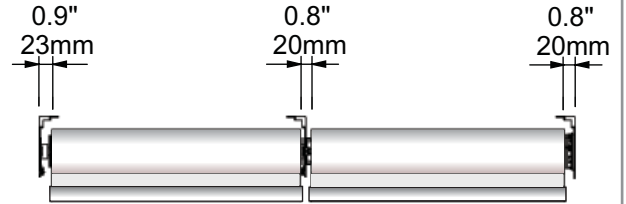
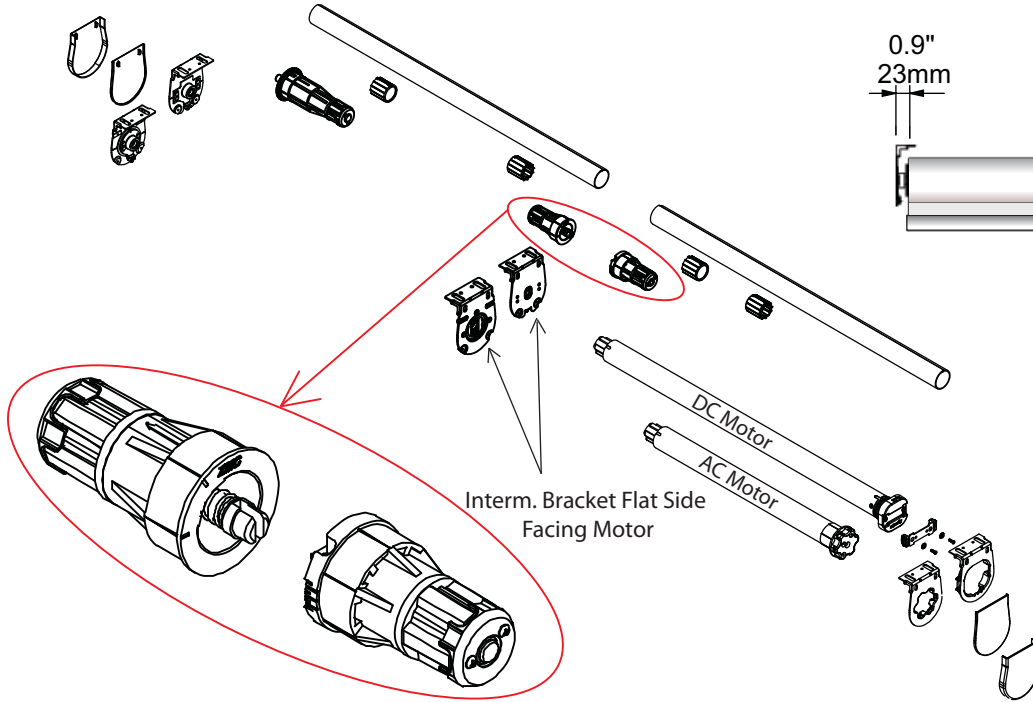
For more information please contact us at:
 Tel: 1.905.856.3838 or 1.800.541.2557

EZ-Adjustable Coupler

No need to disconnect shades to adjust uneven bottom bar

Roller Bearing Idler Bracket With EZ-Adj. Coupler & Retractable Idler

Light Gap (with Star Head Motor & 2" Tube)



Swivel Ball Bearing Idler Bracket With EZ-Retrac. Coupler & Spring Loaded Idler

Light Gap (with Star Head Motor & 2" Tube)

