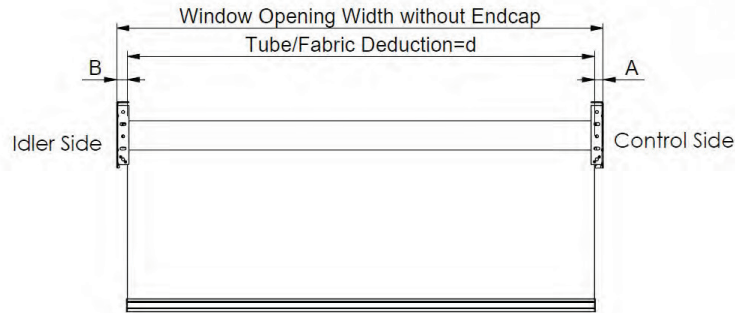
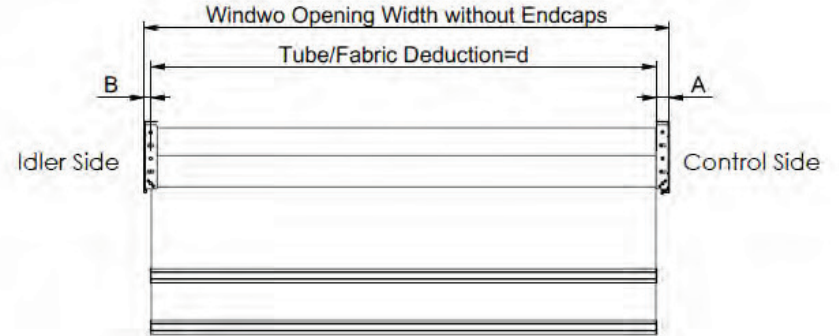









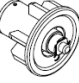

Tube and Fabric Deductions


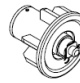





5.5" L Fascia Single Shade



5.5" L Fascia Duo Shade



Control Side	Idler Side	Tube	A	B	d
XL 20 Clutch for T46 (XL-2R*) 	XL Idle End for T56 (XL-011) 	2" Tube (RS- T56) 	19mm (¾")	13mm (½")	32mm (1 ¼")
XL20 Clutch for 3TU (XL-3X*) +Spring assistant 	XL Idle End for 3TU (XL-C01) 	2 3/8" Tube (RS-033) 	20.5mm (13/16")	16mm (5/8")	36.5mm (1 7/16")
XL20 Clutch for T46 (XL-2R*) +Spring assistant 	XL Idle End for T46 (XL-A01) 	2 1/2" Tube (RS-T66) 	19 mm (¾")	17.5mm (11/16")	36.5mm (1 7/16")

Control Side	Idler Side	Tube	A	B	d
XL 20 Clutch (XL-2R1, XL-2X1, XL-3X1) 	XL Idle End (XL-A01, XL-B01, XL-C01) 	1.5" Tube (RS- T46, RS- 2TU)  1 3/4" Tube (RS- 3TU) 	19mm (¾")	14.5mm (9/16")	33.5mm (1 5/16")
XL 20 Clutch for T46 (XL-2R*) 	XL Idle End for T56 (XL-011) 	2" Tube (RS- T56) 	19mm (¾")	13mm (½")	32mm (1 ¼")

1. Use this table as a guideline only
2. Deduction with 1-2mm tolerance
3. End cap thickness is 1/8"