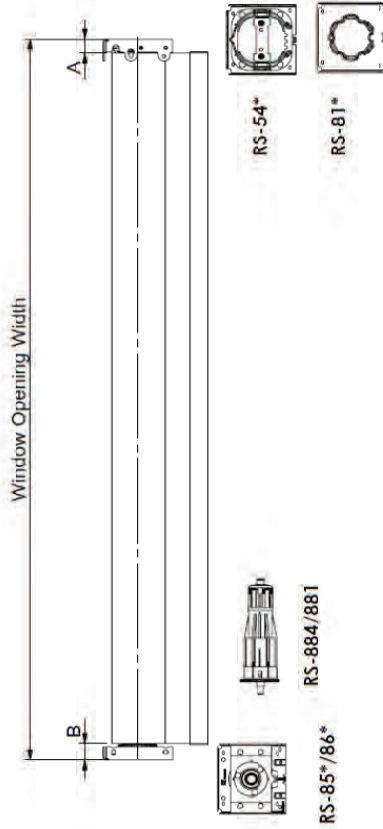


# Tube and Fabric Deduction

For Somfy Sonesse 50AC/DC Motor with 4" Fascia Bracket and Retractable Idler (w/o end cap)

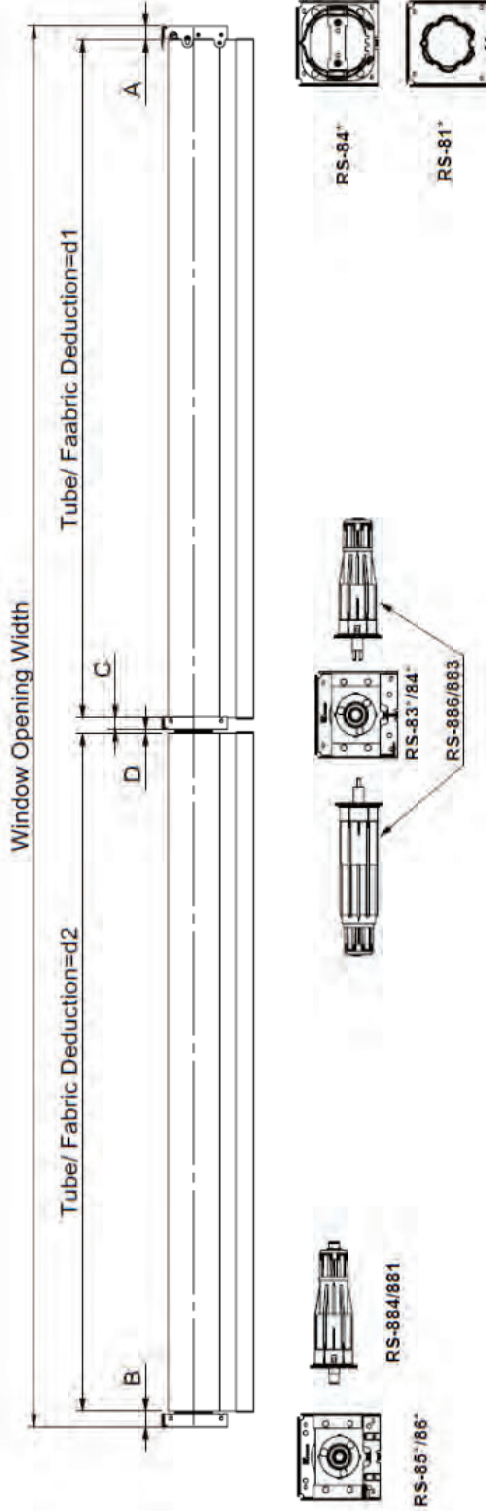


Motor Bracket Option		Tube	Crown	Unit	Light Gap		Deduc.
					A	B	
RS-013	2" Groove Tube	/	in	0.79	0.93	1.72	
			mm	20	23.6	43.6	
RS-033	2 3/8" Tube	RS-975	in	0.85	0.99	1.83	
			mm	21.5	25.1	46.6	
RS-T66	2 1/2" Tube	RS-984	in	0.88	1.02	1.91	
			mm	22.4	26.0	48.4	

- Note: 1. Use this chart as a guideline only.  
 2. Deduction with 1 ~2mm tolerance.  
 3. End cap thickness 1.8mm.

# Tube and Fabric Deduction

For Somfy Sonesse 50AC/DC Motor with 4" Fascia Bracket and Retractable Idler (w/o end cap)



Tube	Crown	Unit	Light Gap					Deduc.		If 3 more blinds, mid blind deduction
			A	B	C	D	d1	d2		
RS-013 2" Groove Tube	/	in	0.79	0.93	0.69	0.26	1.48	1.19	0.95	
		mm	20	23.6	17.6	6.5	37.6	30.1	24.1	
RS-033 2 3/8" Tube	RS-975	in	0.85	0.94	0.75	0.31	1.60	1.30	1.07	
		mm	21.5	25.1	19.1	8	40.6	33.1	27.1	
RS-T66 2 1/2" Tube	RS-984	in	0.88	1.02	0.79	0.35	1.67	1.37	1.14	
		mm	22.4	26.0	20.0	8.9	42.4	34.9	28.9	

- Note: 1. Use this chart as a guideline only.  
 2. Deduction with 1-2mm tolerance.  
 3. End cap thickness 1.8mm.