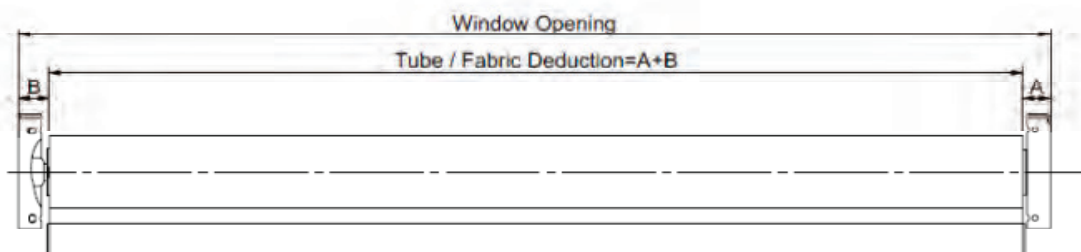




4" FASCIA BRACKETS WITH SOMFY 400 MOTOR AND 1.5" MINI SPRING LOADED IDLER

Tube and Fabric Deduction

For Somfy 400 Motor, 4" Fascia Brackets and 1.5" Mini Spring Loaded Idler



RS-48*/47*



RS-44*/45*



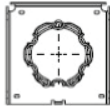


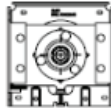

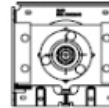


RS-879/880



RS-81*



RS-89*

Motor Bracket			RS-81* 						RS-89* 					
Idle End Bracket			RS-46*/47* 			RS-44*/45* 			RS-46*/47* 			RS-44*/45* 		
Tube	Crown	Unit	Light Gap			Deduc.			Light Gap			Deduc.		
			A	B	A+B	A	B	A+B	A	B	A+B	A	B	A+B
RS-032 1.5" Groove Tube 	RS-B73 	in	0.89	1.00	1.89	0.89	1.08	1.97	0.73	1.00	1.73	1.00	1.47	2.47
		mm	22.6	25.4	48	22.6	27.4	50	18.6	25.4	44	18.6	27.4	46

- Note: 1. Use this chart as a guideline only.
 2. Deduction with 1~2mm tolerance.
 3. End cap thickness 1.8mm.