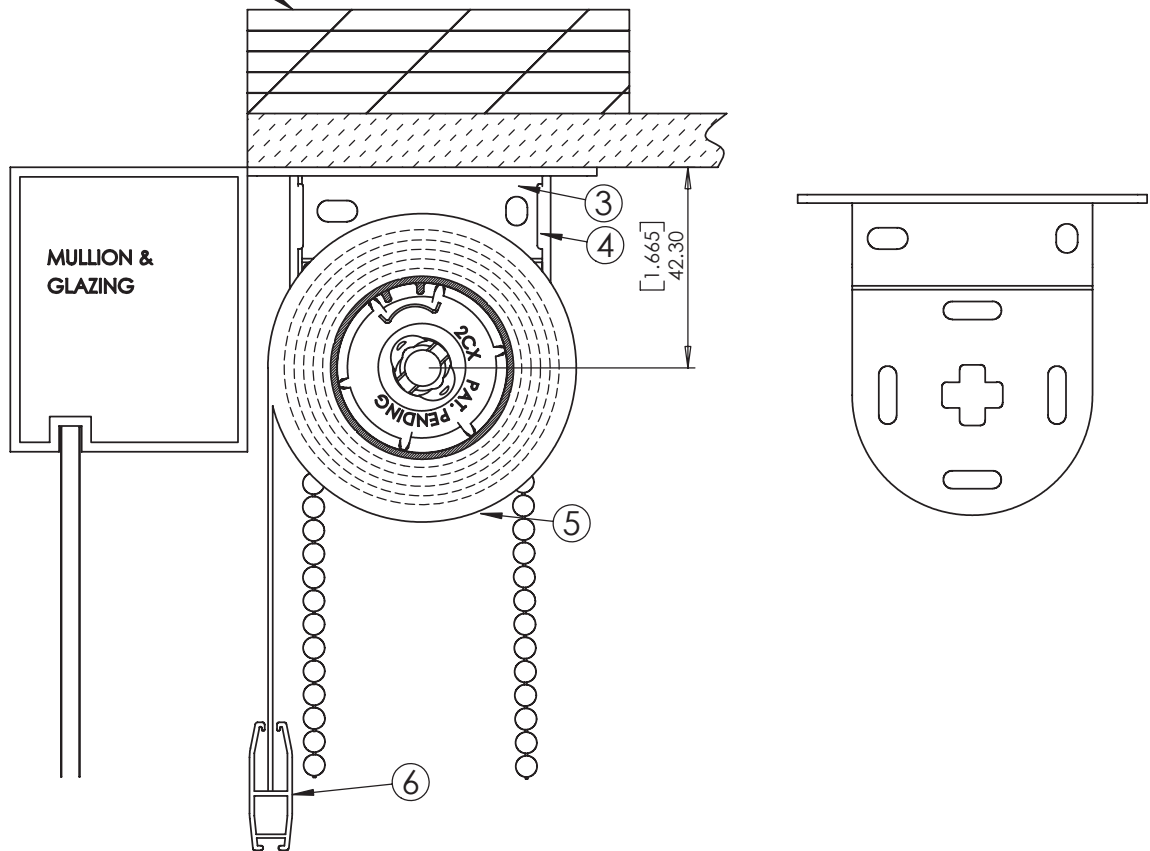


PLYWOOD BLOCKING



NOTES:

1. 1-1/2" EXTRUDED ALUMINUM RS-T4X TUBE
2. 1 1/2" CLUTCH
3. RS SERIES BRACKET FOR 1-1/2" TUBE
4. PLASTIC BRACKET COVER
5. FABRIC: 3%, 5%, 10% OPENNESS OR BLACKOUT
6. EXTRUDED ALUMINUM EXTERNAL SLIM BOTTOM BAR

ROLLER SHADE WITH 1-1/2" RS SERIES BRACKET & RS-T4X TUBE

PROJECT:

DATE:
2009/07/22

SCALE:
1 : 1.5

DWG NO.

DRAWN BY: